

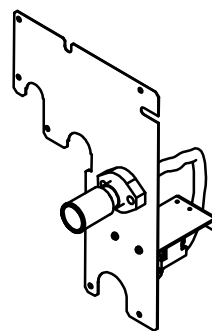
# Hisense

## Operation & Installation Manual

Model: HPS-132  
HPS-162

Applied Unit:  
Ceiling Ducted Type

### Internal Drain Pump



#### IMPORTANT:

READ AND UNDERSTAND THIS MANUAL  
BEFORE USING THIS INTERNAL DRAIN PUMP.  
KEEP THIS MANUAL FOR FUTURE REFERENCE.

### IMPORTANT NOTICE

- Read and understand this manual before using this external drain pump. If the instructions are not followed, it may result in a serious water leakage.
- Do not install the drain pump where there is a high level of oil mist, dust, flammable gases, salty air or harmful gases.
- Hisense's liability shall not cover defects arising from the alteration performed by a customer without Hisense's consent in a written form.
- Hisense's pursues a policy of continuing improvement in design and performance of products. The right is therefore reserved to vary specifications without notice.
- No part of this manual may be reproduced without written permission.
- Signal words(DANGER,NOTE) are used to identify levels of hazard seriousness. Definitions for identifying hazard levels are provided below with their respective signal words.



**DANGER**: Immediate hazards which WILL result in severe personal injury or death.

**NOTE**: Useful information for operation and/or maintenance.

### CHECKING PRODUCT RECEIVED

- Upon receiving this product, inspect it for any shipping damage. Claims for damage, either apparent or concealed, should be filed immediately with the shipping company.
- Check the model and quantity to determine if they are correct.

## 1. Before Installation

### NOTE

Check to ensure that the quantity of the drain pump and accessories are in accordance with the table below.

NO.	Accessory	Q'ty	Purpose
1	Internal Drain Pump	1	
2	Drain Pipe Accessory	1	For the Drain Pump Connection

● If any of these accessories are not packed, please contact your contractor.

● The indoor unit installation should meet the relative instructions.

## 2. Installation

### 2.1 Drain Pump Installation

As shown in Fig.1, Take off the original side cover components and then install the internal drain pump on the same place by screw. Seal the original water outlet of indoor unit with rubber boss. The dimension of the internal drain pump are as shown in Fig.2, Fig.3.

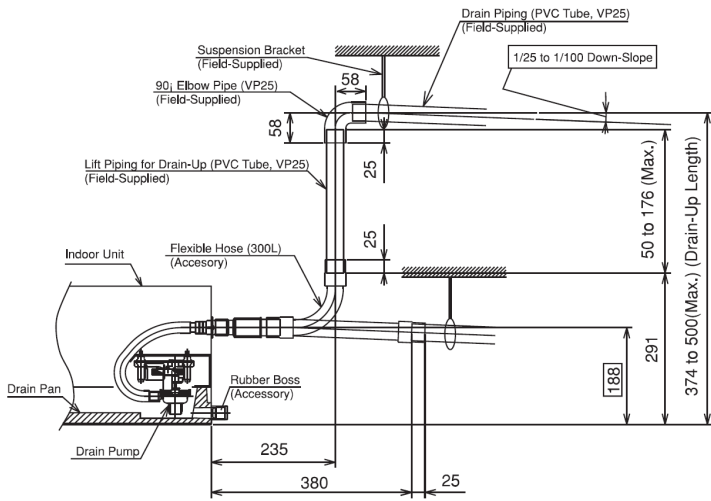


Fig. 1 Mounting of Internal Drain Pump

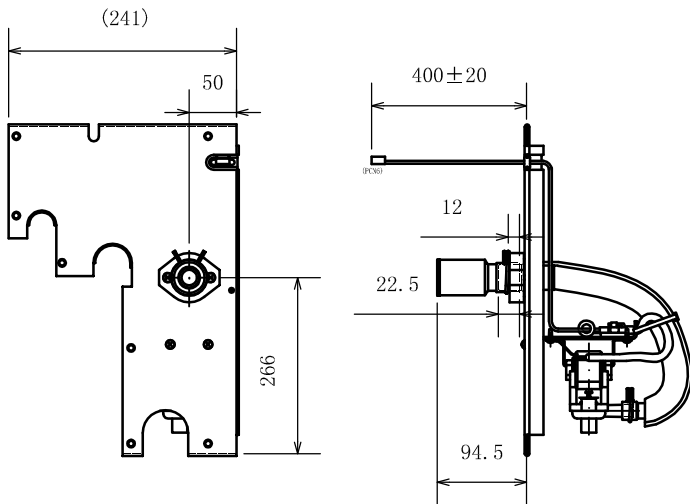


Fig. 2 Dimension of Internal Drain Pump HPS-132

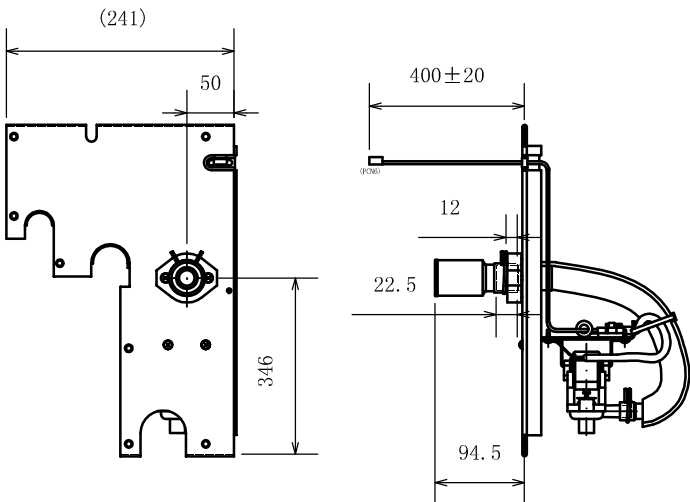


Fig. 3 Dimension of Internal Drain Pump HPS-162

### 2.2 Drain Pipe Installation

#### NOTE

- The drain piping must be performed with a down-slope pitch of 1/50~1/100. Upper-slope or rising part will lead to water flowing back and drainage leakage.
- Fasten the tube to the drain hose with the adhesive agent and the factory-supplied clamp.
- Insulate the drain pipe using the polyvinyl chloride packing ( thickness 8mm above) to avoid water condensing and drip.

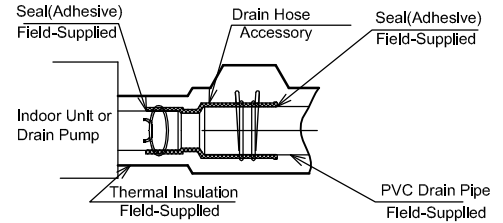


Fig.4 Drain Pipe Insulation

### 2.3 Wiring Connection



#### DANGER

Check that the earth wire is securely connected. If the drain pump is not correctly grounded, it will lead electric shock.

#### ● Wiring Connection Steps

Before wiring connection, make sure that the wires components: one power source wire for the drain pump, one earth wire for the drain pump (the earth wire has already connected with the side cover). When connecting the drain pump and the indoor unit, connect the power source wire of the drain pump to the main PCB of the indoor unit (PCN6 Blue). Connect all wires through the connecting hole and tightly secure them using the cord clamp in cabinet. Check that the earth wire is securely connected.

## 3. After Installation

Check for Float Switch Action

- Steps: Switch ON the power supply of the indoor unit. Pour 2 or 2.5 liters of water into the drain pan.
- Check to ensure that the water flows smoothly or whether no water leakage occurs. When water can not be found at the end of the drain piping, pour another 2 liters into the drain.