

# Hisense

## USE AND INSTALLATION INSTRUCTIONS

ENGLISH

ITALIANO

ESPAÑOL

PORTUGUÊS

Model:

2AMW35U4RRA  
2AMW42U4RRA  
3AMW42U4RJA  
2AMW50U4RXA  
3AMW52U4RJA  
3AMW62U4RFA  
3AMW72U4RFA  
4AMW81U4RAA  
4AMW105U4RAA  
5AMW125U4RTA

Thank you very much for purchasing this Air Conditioner. Please read this use and installation instructions carefully before installing and using this appliance and keep this manual for future reference.

# Original instructions

## Contents

<b>Safety instructions</b> .....	<b>1</b>
<b>Refrigerant flow diagram</b> .....	<b>9</b>
<b>Installation instruction</b> .....	<b>11</b>
Installation diagram .....	11
Transportation and handling before installation .....	12
Installation locations selection .....	12
Drainage elbow and drain hose installation .....	12
Outdoor unit installation .....	13
Refrigerant piping .....	13
Wiring .....	17
Trial run .....	20

### NOTE:

- This heat pump air conditioner has been designed for the following temperatures. It should be operated within this range:

	Outdoor operation temperature range	
	Maximum (°C)	Minimum (°C)
Cooling Operation	48	-15
Heating Operation	24	-15

- Storage condition: Temperature -25~60°C  
Humidity 30%~80%

# Safety precautions

1. This air conditioner uses new refrigerant HFC (R32).
2. Since the max. working pressure is 4.3/4.15MPa (R22:3.1MPa), some of the piping and installation and service tools are special.
3. This air conditioner uses power supply: 220-240V ~, 50Hz.

Please read these SAFETY PRECAUTIONS carefully to ensure correct installation.

- Be sure to use a dedicated power circuit, and do not put other loads on the power supply.
- Be sure to read these SAFETY PRECAUTIONS carefully before installation.
- Be sure to comply with SAFETY PRECAUTIONS of installation manual, because it contains important safety issues. Definitions for identifying hazard levels are provide below with their respective safety symbols.
  - ⚠ WARNING: Hazards or unsafe practices which COULD result in severe personal injury or death.
  - ⚠ CAUTION: Hazards or unsafe practices which COULD result in minor personal injury or product or property damage.
- Please carefully file indoor and outdoor unit manual away for future reference.



- Installation should be performed by the qualified personnel.  
Incomplete installation may cause damage by fire, electric shock, drop or water leakage.
- Perform the installation securely referring to the installation manual.  
Incomplete installation could cause a personal injury due to fire, electric shock, the unit falling or leakage of water.
- Install the air conditioner on a solid base that can support the unit weight.  
An inadequate base or incomplete installation may cause injury due to unit falling off from the base.
- Wiring must be done by the qualified electrician. All the electric works must be performed in accordance with national wiring regulations and local electrical codes.
- Use the specified type of wire for electrical connections safely.  
Firmly clamp the interconnecting wires so that their terminals receive no external stresses.
- For wiring, use a cable long enough to cover the entire distance with no connection, and don't connect multiple devices to the same AC power supply.  
Otherwise, it may be due to bad contact, poor insulation, exceed the allowable current and cause a fire or electric shock.
- After all installations are completed, check to make sure that no refrigerant leaking out occurs.  
If the refrigerant gas leakage to the interior, and the heater, stove flame touching it, will generate harmful substances.
- If the power supply circuit capacity or electrical work is not in place, may cause a fire or electric shock.
- Attach the electrical cover to the indoor unit and the service panel to the outdoor unit securely.
- If the electrical covers on the indoor unit or the service panel of the outdoor unit are not attached securely, it could result in a fire or an electric shock due to dust water, etc.
- Please be sure to cut off the main power supply before the installation of indoor electronic PCB or wiring. Otherwise, it will cause electric shock.
- The outdoor machine installation location should pay attention to the protection, avoid people or other small animals contact with electrical components, please keep the outdoor unit of the surrounding environment clean and tidy.
- When installing or relocating the unit, make sure that no substance other than the specified refrigerant (R32) enters the refrigerant circuit.  
Any presence of foreign substance such as air can cause abnormal pressure rise or an explosion.

# Safety precautions



- Perform grounding  
Does not connect the earth wire to a gas pipe, water pipe, lightning rod or telephone earth wire.  
Defective grounding could cause an electric shock.
- Do not install the unit in a place where an inflammable gas leaks.  
If gas leaks and accumulates in the area surrounding the unit, it could cause an explosion.
- Fasten a flare nut with a torque wrench as specified in this manual.  
When fastened too tight, a flare nut may break after a long period and cause a leakage of refrigerant.
- Install an earth leakage breaker depending on the installation place (where it is humid).  
If an earth leakage breaker is not installed, it could cause an electric shock.
- Perform the drainage/ piping work securely according to the installation manual.
- If there is a defect in the drainage/piping work, water could drop from the unit and household goods could be wet and damaged.

## Safety instructions

- Do not let air enter the refrigeration system or discharge refrigerant when moving the air conditioner.
- The installation instructions for appliances that are intended to be permanently connected to fixed wiring, and have a leakage current that may exceed 10mA, shall state that the installation of a residual current device (RCD) having a rated residual operating current not exceeding 30mA is advisable.
- This appliance can be used by children aged from 8 years and above and persons with reduced physical, sensory or mental capabilities or lack of experience and knowledge if they have been given supervision or instruction concerning use of the appliance in a safe way and understand the hazards involved. Children shall not play with the appliance. Cleaning and user maintenance shall not be made by children without supervision.
- If the supply cord is damaged, it must be replaced by the factory or its service department to avoid danger.
- Servicing shall only be performed as recommended by the equipment manufacturer.
- Maintenance and repair requiring the assistance of other skilled personnel shall be carried out under the supervision of the person competent in the use of flammable refrigerants.
- Means for disconnection, which can provide full disconnection in all poles, must be incorporated in the fixed wiring in accordance with the wiring rules.
- It is necessary to allow the disconnection of the appliance from the supply after installation. Make sure the disconnection of the appliance from the supply when service and maintenance, a disconnection with a locking system in the isolated position shall be provided.
- The method of connection of the appliance to the electrical supply and interconnection of separate components, and the wiring diagram with a clear indication of the connections and wiring to external control devices and supply cord are detailed below.
- Power connection and interconnection between outdoor unit and indoor unit should be conducted with the power cord of the H07RN-F type or the electrically equivalent type. The size of the power cord is detailed in outdoor unit manual below.
- Type and rating of circuit breakers / ELB are detailed below.
- The information on dimensions of the space necessary for correct installation of the appliance including the minimum permissible distances to adjacent structures is detailed below.
- This appliance is intended to be used by expert or trained users in shops, in light industry and on farms, or for commercial use by lay persons.
- In order to avoid a hazard due to inadvertent resetting of the thermal cut-out, this appliance must not be supplied through an external switching device, such as a timer, or connected to a circuit that is regularly switched on and off by the utility.
- Instructions on additional charging of refrigerants are detailed below.

# Safety precautions

## Precautions for using R32 refrigerant

The basic installation work procedures are the same as the conventional refrigerant (R22 or R410A). However, pay attention to the following points:

### WARNING

#### 1. Transport of equipment containing flammable refrigerants.

Attention is drawn to the fact that additional transportation regulations may exist with respect to equipment containing flammable gas. The maximum number of pieces of equipment or the configuration of the equipment, permitted to be transported together will be determined by the applicable transport regulations.

#### 2. Marking of equipment using signs

Signs for similar appliances (containing flammable refrigerants) used in a work area generally are addressed by local regulations and give the minimum requirements for the provision of safety and/or health signs for a work location. All required signs are to be maintained and employers should ensure that employees receive suitable and sufficient instruction and training on the meaning of appropriate safety signs and the actions that need to be taken in connection with these signs.

The effectiveness of signs should not be diminished by too many signs being placed together. Any pictograms used should be as simple as possible and contain only essential details.

#### 3. Disposal of equipment using flammable refrigerants

Compliance with national regulations

#### 4. Storage of equipment/appliances

The storage of equipment should be in accordance with the manufacturer's instructions.

#### 5. Storage of packed (unsold) equipment

- Storage package protection should be constructed such that mechanical damage to the equipment inside the package will not cause a leak of the refrigerant charge.
- The maximum number of pieces of equipment permitted to be stored together will be determined by local regulations.

#### 6. Information on servicing

##### 6-1 Checks to the area

Prior to beginning work on systems containing flammable refrigerants, safety checks are necessary to ensure that the risk of ignition is minimized. For repair to the refrigerating system, the following precautions should be complied with prior to conducting work on the system.

##### 6-2 Work procedure

Work shall be undertaken under a controlled procedure so as to minimise the risk of flammable gas or vapour being present while the work is being performed.

##### 6-3 General work area

- All maintenance staff and others working in the local area shall be instructed on the nature of work being carried out. Work in confined spaces shall be avoided.
- The area around the workspace shall be sectioned off. Ensure that the conditions within the area have been made safe by control of flammable material.

##### 6-4 Checking for presence of refrigerant

- The area shall be checked with an appropriate refrigerant detector prior to and during work, to ensure the technician is aware of potentially flammable atmospheres.
- Ensure that the leak detection equipment being used is suitable for use with flammable refrigerants, i.e. non-sparking, adequately sealed or intrinsically safe.

##### 6-5 Presence of fire extinguisher

- If any hot work is to be conducted on the refrigeration equipment or any associated parts, appropriate fire extinguishing equipment shall be available to hand.
- Have a dry powder or CO<sub>2</sub> fire extinguisher adjacent to the charging area.

##### 6-6 No ignition sources

- No person carrying out work in relation to a refrigeration system which involves exposing any pipe work that contains or has contained flammable refrigerant shall use any sources of ignition in such a manner that it may lead to the risk of fire or explosion.
- All possible ignition sources, including cigarette smoking, should be kept sufficiently far away from the site of installation, repairing, removing and disposal, during which flammable refrigerant can possibly be released to the surrounding space.
- Prior to work taking place, the area around the equipment is to be surveyed to make sure that there are no flammable hazards or ignition risks. "No Smoking" signs shall be displayed.

##### 6-7 Ventilated area

- Ensure that the area is in the open or that it is adequately ventilated before breaking into the system or conducting any hot work.
- A degree of ventilation shall continue during the period that the work is carried out.
- The ventilation should safely disperse any released refrigerant and preferably expel it externally into the atmosphere.

# Safety precautions

## WARNING

### 6-8 Checks to the refrigeration equipment

- Where electrical components are being changed, they shall be fit for the purpose and to the correct specification.
- At all times the manufacturer's maintenance and service guidelines shall be followed. If in doubt consult the manufacturer's technical department for assistance.
- The following checks shall be applied to installations using flammable refrigerants:
  - The charge size is in accordance with the room size within which the refrigerant containing parts are installed;
  - The ventilation machinery and outlets are operating adequately and are not obstructed;
  - If an indirect refrigerating circuit is being used, the secondary circuit shall be checked for the presence of refrigerant;
  - Marking to the equipment continues to be visible and legible. Markings and signs that are illegible shall be corrected;
  - Refrigeration pipe or components are installed in a position where they are unlikely to be exposed to any substance which may corrode refrigerant containing components, unless the components are constructed of materials which are inherently resistant to being corroded or are suitably protected against being so corroded.

### 6-9 Checks to electrical devices

- Repair and maintenance to electrical components shall include initial safety checks and component inspection procedures.
- If a fault exists that could compromise safety, then no electrical supply shall be connected to the circuit until it is satisfactorily dealt with.
- If the fault cannot be corrected immediately but it is necessary to continue operation, an adequate temporary solution shall be used.
- This shall be reported to the owner of the equipment so all parties are advised.
- Initial safety checks shall include:
  - That capacitors are discharged: this shall be done in a safe manner to avoid possibility of sparking;
  - That there no live electrical components and wiring are exposed while charging, recovering or purging the system;
  - That there is continuity of earth bonding.

### 7. Repairs to sealed components

- During repairs to sealed components, all electrical supplies shall be disconnected from the equipment being worked upon prior to any removal of sealed covers, etc.
- If it is absolutely necessary to have an electrical supply to equipment during servicing, then a permanently operating form of leak detection shall be located at the most critical point to warn of a potentially hazardous situation.
- Particular attention shall be paid to the following to ensure that by working on electrical components, the casing is not altered in such a way that the level of protection is affected.
- This shall include damage to cables, excessive number of connections, terminals not made to original specification, damage to seals, incorrect fitting of glands, etc.
- Ensure that apparatus is mounted securely.
- Ensure that seals or sealing materials have not degraded such that they no longer serve the purpose of preventing the ingress of flammable atmospheres.
- Replacement parts shall be in accordance with the manufacturer's specifications.

NOTE: The use of silicon sealants may inhibit the effectiveness of some types of leak detection equipment. Intrinsically safe components do not have to be isolated prior to working on them.

### 8. Repair to intrinsically safe components

- Do not apply any permanent inductive or capacitance loads to the circuit without ensuring that this will not exceed the permissible voltage and current permitted for the equipment in use.
- Intrinsically safe components are the only types that can be worked on while live in the presence of a flammable atmosphere. The test apparatus shall be at the correct rating.
- Replace components only with parts specified by the manufacturer.
- Other parts may result in the ignition of refrigerant in the atmosphere from a leak.

### 9. Cabling

- Check that cabling will not be subject to wear, corrosion, excessive pressure, vibration, sharp edges or any other adverse environmental effects.
- The check shall also take into account the effects of aging or continual vibration from sources such as compressors or fans.

# Safety precautions

## WARNING

### 10. Detection of flammable refrigerants

- Under no circumstances shall potential sources of ignition be used in the searching for or detection of refrigerant leaks.
- A halide torch (or any other detector using a naked flame) shall not be used.

### 11. Leak detection methods

The following leak detection methods are deemed acceptable for systems containing flammable refrigerants:

- Electronic leak detectors shall be used to detect flammable refrigerants, but the sensitivity may not be adequate, or may need re-calibration. (Detection equipment shall be calibrated in a refrigerant-free area.)
- Ensure that the detector is not a potential source of ignition and is suitable for the refrigerant used.
- Leak detection equipment shall be set at a percentage of the LFL of the refrigerant and shall be calibrated to the refrigerant employed and the appropriate percentage of gas (25 % maximum) is confirmed.
- Leak detection fluids are suitable for use with most refrigerants but the use of detergents containing chlorine shall be avoided as the chlorine may react with the refrigerant and corrode the copper pipe-work.
- If a leak is suspected, all naked flames shall be removed/ extinguished.
- If a leakage of refrigerant is found which requires brazing, all of the refrigerant shall be recovered from the system, or isolated (by means of shut off valves) in a part of the system remote from the leak.
- Oxygen free nitrogen (OFN) shall then be purged through the system both before and during the brazing process.

### 12. Removal and evacuation

- When breaking into the refrigerant circuit to make repairs – or for any other purpose – conventional procedures shall be used.
- However, it is important that best practice is followed since flammability is a consideration.
- The following procedure shall be adhered to:
  - Remove refrigerant;
  - Purge the circuit with inert gas;
  - Evacuate;
  - Purge again with inert gas;
  - Open the circuit by cutting or brazing.
- The refrigerant charge shall be recovered into the correct recovery cylinders.
- The system shall be “flushed” with OFN to render the unit safe.
- This process may need to be repeated several times.
- Compressed air or oxygen shall not be used for this task.
- Flushing shall be achieved by breaking the vacuum in the system with OFN and continuing to fill until the working pressure is achieved, then venting to atmosphere, and finally pulling down to a vacuum.
- This process shall be repeated until no refrigerant is within the system. When the final OFN charge is used, the system shall be vented down to atmospheric pressure to enable work to take place.
- This operation is absolutely vital if brazing operations on the pipe-work are to take place.
- Ensure that the outlet for the vacuum pump is not close to any ignition sources and there is ventilation available.

### 13. Charging procedures

- In addition to conventional charging procedures, the following requirements shall be followed:
  - Ensure that contamination of different refrigerants does not occur when using charging equipment.
  - Hoses or lines shall be as short as possible to minimise the amount of refrigerant contained in them.
  - Cylinders shall be kept upright.
  - Ensure that the refrigeration system is earthed prior to charging the system with refrigerant.
  - Label the system when charging is complete (if not already).
  - Extreme care shall be taken not to overfill the refrigeration system.
  - Prior to recharging the system it shall be pressure tested with OFN.
- The system shall be leak tested on completion of charging but prior to commissioning.
- A follow up leak test shall be carried out prior to leaving the site.

### 14. Decommissioning

Before carrying out this procedure, it is essential that the technician is completely familiar with the equipment and all its detail.

It is recommended good practice that all refrigerants are recovered safely.

# Safety precautions

## WARNING

Prior to the task being carried out, an oil and refrigerant sample shall be taken in case analysis is required prior to re-use of reclaimed refrigerant. It is essential that electrical power is available before the task is commenced.

- a) Become familiar with the equipment and its operation.
- b) Isolate system electrically.
- c) Before attempting the procedure ensure that:
  - Mechanical handling equipment is available, if required, for handling refrigerant cylinders;
  - All personal protective equipment is available and being used correctly;
  - The recovery process is supervised at all times by a competent person;
  - Recovery equipment and cylinders conform to the appropriate standards.
- d) Pump down refrigerant system, if possible.
- e) If a vacuum is not possible, make a manifold so that refrigerant can be removed from various parts of the system.
- f) Make sure that cylinder is situated on the scales before recovery takes place.
- g) Start the recovery machine and operate in accordance with manufacturer's instructions.
- h) Do not overfill cylinders. (No more than 80 % volume liquid charge).
- i) Do not exceed the maximum working pressure of the cylinder, even temporarily.
- j) When the cylinders have been filled correctly and the process completed, make sure that the cylinders and the equipment are removed from site promptly and all isolation valves on the equipment are closed off.
- k) Recovered refrigerant shall not be charged into another refrigeration system unless it has been cleaned and checked.

### 15. Labelling

Equipment shall be labelled stating that it has been de-commissioned and emptied of refrigerant.

The label shall be dated and signed.

Ensure that there are labels on the equipment stating the equipment contains flammable refrigerant.

### 16. Recovery

- When removing refrigerant from a system, either for servicing or decommissioning, it is recommended good practice that all refrigerants are removed safely.
- When transferring refrigerant into cylinders, ensure that only appropriate refrigerant recovery cylinders are employed.
- Ensure that the correct number of cylinders for holding the total system charge is available.
- All cylinders to be used are designated for the recovered refrigerant and labelled for that refrigerant (i.e. special cylinders for the recovery of refrigerant).
- Cylinders shall be complete with pressure relief valve and associated shut-off valves in good working order.
- Empty recovery cylinders are evacuated and, if possible, cooled before recovery occurs.
- The recovery equipment shall be in good working order with a set of instructions concerning the equipment that is at hand and shall be suitable for the recovery of flammable refrigerants.
- In addition, a set of calibrated weighing scales shall be available and in good working order.
- Hoses shall be complete with leak-free disconnect couplings and in good condition.
- Before using the recovery machine, check that it is in satisfactory working order, has been properly maintained and that any associated electrical components are sealed to prevent ignition in the event of a refrigerant release.
- Consult manufacturer if in doubt.
- The recovered refrigerant shall be returned to the refrigerant supplier in the correct recovery cylinder, and the relevant Waste Transfer Note arranged.
- Do not mix refrigerants in recovery units and especially not in cylinders.
- If compressors or compressor oils are to be removed, ensure that they have been evacuated to an acceptable level to make certain that flammable refrigerant does not remain within the lubricant.
- The evacuation process shall be carried out prior to returning the compressor to the suppliers.
- Only electric heating to the compressor body shall be employed to accelerate this process.
- When oil is drained from a system, it shall be carried out safely.



# Safety precautions

## WARNING

### 17. Competence of service personnel

#### Information and training

The training should include the substance of the following:

Information about the explosion potential of flammable refrigerants to show that flammables may be dangerous when handled without care.

Information about potential ignition sources, especially those that are not obvious, such as lighters, light switches, vacuum cleaners, electric heaters.

Information about the concept of sealed components and sealed enclosures according to IEC 60079-15:2010.

Information about the correct working procedures:

#### a) Commissioning

- Ensure that the floor area is sufficient for the refrigerant charge or that the ventilation duct is assembled in a correct manner.
- Connect the pipes and carry out a leak test before charging with refrigerant.
- Check safety equipment before putting into service.

#### b) Maintenance

- Portable equipment shall be repaired outside on in a workshop specially equipped for servicing units with flammable refrigerants.
- Ensure sufficient ventilation at the repair place.
- Be aware that malfunction of the equipment may be caused by refrigerant loss and a refrigerant leak is possible.
- Discharge capacitors in a way that won't cause any spark. The standard procedure to short circuit the capacitor terminals usually creates sparks.
- Reassemble sealed enclosures accurately. If seals are worn, replace them.
- Check safety equipment before putting into service.

#### c) Repair

- Portable equipment shall be repaired outside or in a workshop specially equipped for servicing units with flammable refrigerants.
- Ensure sufficient ventilation at the repair place.
- Be aware that of the equipment may be caused by refrigerant loss and a refrigerant leak is possible.
- Discharge capacitors in a way that won't cause any spark.
- When brazing is required the following procedures shall be carried out in the right order.
  - Remove the refrigerant. If the refrigerant is not required by national regulations, drain the refrigerant to the outside. Take care that the drained refrigerant will not cause any danger. In doubt, one person should guard the outlet. Take special care that drained refrigerant will not float back into the building.
  - Evacuate the refrigerant circuit.
  - Purge the refrigerant circuit with nitrogen for 5 min .
  - Evacuate again (not required for A2L refrigerants)
  - Remove parts to be replaced by cutting, not by flame.
  - Purge the braze point with nitrogen during the brazing procedure.
  - Carry out a leak test before charging with refrigerant.
- Reassemble sealed enclosures accurately. If seals are worn, replace them.
- Check safety equipment before putting into service.

#### d) Decommissioning

- If the safety is affected when the equipment is putted out of service. the refrigerant charge shall be removed before decommissioning.
- Ensure sufficient ventilation at the equipment location.
- Be aware that malfunction of the equipment may be caused by refrigerant loss and a leak is possible.
- Discharge capacitors in a way that won't cause any spark.
- Remove the If the recovery is not required by national regulations, drain the refrigerant to the outside. Take care that the drained refrigerant will not cause any danger. In doubt, one person should guard the outlet .Take special care that drained refrigerant will not float back into the building.

#### e) Disposal

- Ensure sufficient ventilation at the working place.
- Remove the refrigerant. If the recovery is not required by national regulations, drain the refrigerant to the outside. Take care that the drained refrigerant will not cause any danger. In doubt, one person should guard the outlet. Take special care that drained refrigerant will not float back into the building.
- Evacuate the refrigerant circuit
- Purge the refrigerant circuit with nitrogen for 5min.
- Evacuate again.
- Cut out the compressor and drain the oil.

# Safety precautions





## WARNING

- Appliance shall be installed, operated and stored in a room with a floor area larger than X (X see indoor unit instruction manual).
- The installation of pipe-work shall be kept to a room with a floor area larger than X (X see indoor unit instruction manual).
- The pipe-work shall be complied with national gas regulations.
- The maximum refrigerant charge amount is X kg (X see below).
- When moving or relocating the air conditioner, consult experienced service technicians for disconnection and reinstallation of the unit.
- Do not place any other electrical products or household belongings under indoor unit or outdoor unit.
- Condensation dripping from the unit might get them wet, and may cause damage or malfunction of your property.
- Do not use means to accelerate the defrosting process or to clean, other than those recommended by the manufacturer.
- The appliance shall be stored in a room without continuously operating ignition sources (for example: open flames, an operating gas appliance or an operating electric heater).
- Do not pierce or burn.
- Be aware that refrigerants may not contain an odour.
- To keep ventilation openings clear of obstruction.
- The appliance shall be stored in a well-ventilated area where the room size corresponds to the room area as specified for operation.
- The appliance shall be stored in a room without continuously operating open flames (for example an operating gas appliance) and ignition sources (for example an operating electric heater).
- Any person who is involved with working on or breaking into a refrigerant circuit should hold a current valid certificate from an industry-accredited assessment authority, which authorises their competence to handle refrigerants safely in accordance with an industry recognised assessment specification.
- Servicing shall only be performed as recommended by the equipment manufacturer.
- Maintenance and repair requiring the assistance of other skilled personnel shall be carried out under the supervision of the person competent in the use of flammable refrigerants.
- The appliance shall be installed and stored so as to prevent mechanical damage from occurring.
- Mechanical connectors used indoors shall comply with ISO 14903. When mechanical connectors are reused indoors, sealing parts shall be renewed. When flared joints are reused indoors, the flare part shall be re-fabricated.
- The installation of pipe-work shall be kept to a minimum.
- Mechanical connections shall be accessible for maintenance purposes.

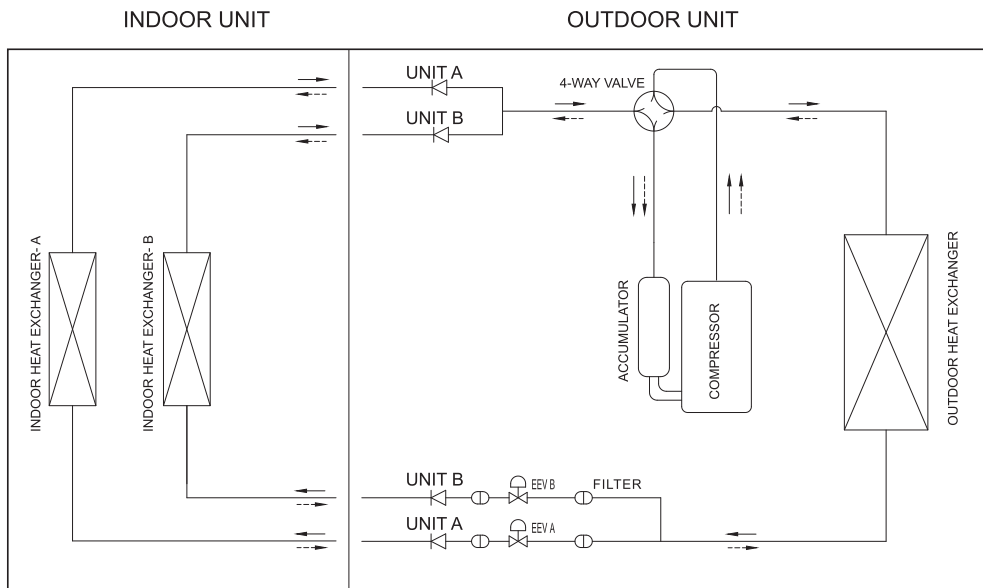
### Max. Refrigerant Charge Amount X(kg)

Series	Up to 2 indoor units		Up to 3 indoor units				Up to 4 indoor units		Up to 5 indoor units
Model	35/42	50	42	52	62	72	81	105	125
Max. Refrigerant charge (kg)	1.17	1.29	1.71	1.71	1.81	1.81	2.28	2.68	3.98

Explanation of symbols displayed on the indoor unit or outdoor unit.

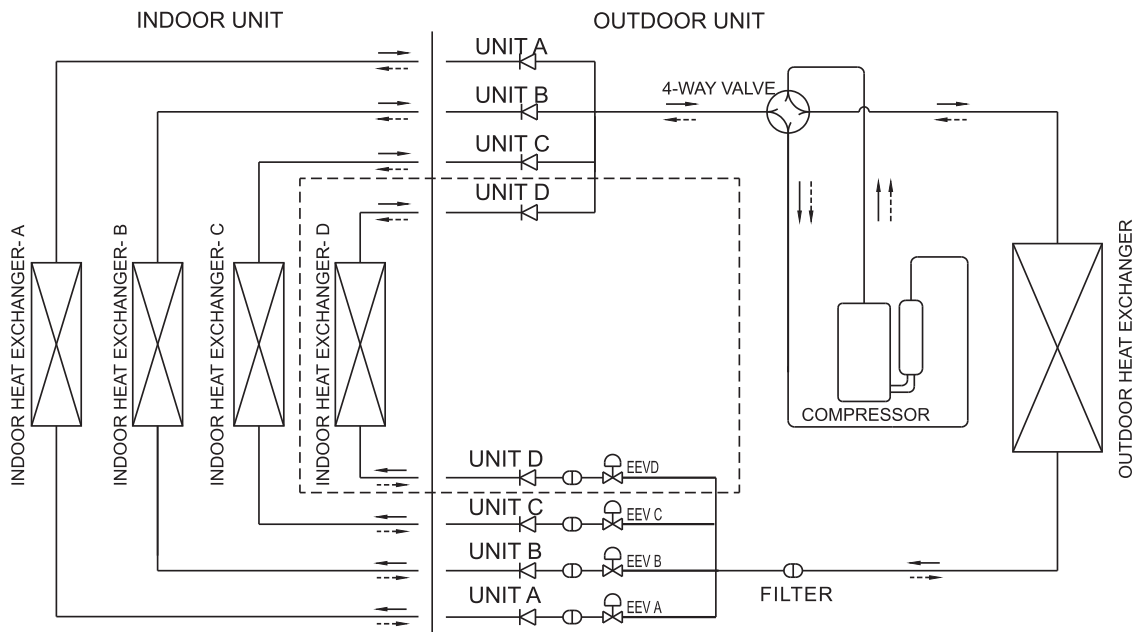
	<b>WARNING</b>	This symbol shows that this appliance uses a flammable refrigerant. If the refrigerant is leaked and exposed to an external ignition source, there is a risk of fire.
	<b>CAUTION</b>	This symbol shows that the operation manual should be read carefully.
	<b>CAUTION</b>	This symbol shows that a service personnel should be handling this equipment with reference to the installation manual.
	<b>CAUTION</b>	This symbol shows that information is available such as the operating manual or installation manual.

# Refrigerant flow diagram



- ← Cooling cycle
- ← Heating cycle

Up to 2 indoor units series (35/42/50)

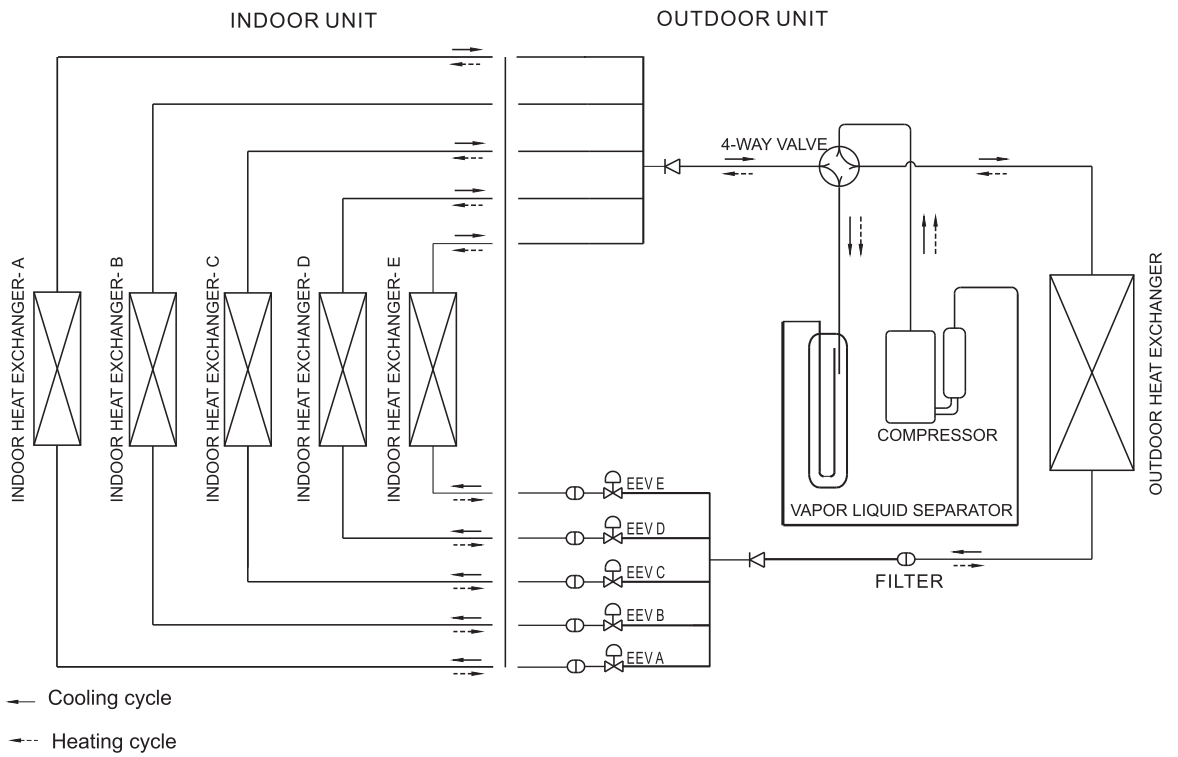


- ← Cooling cycle
- ← Heating cycle

The UNIT D is only for 81/105 models.

Up to 3 & 4 indoor units series (42/52/62/72/81/105)

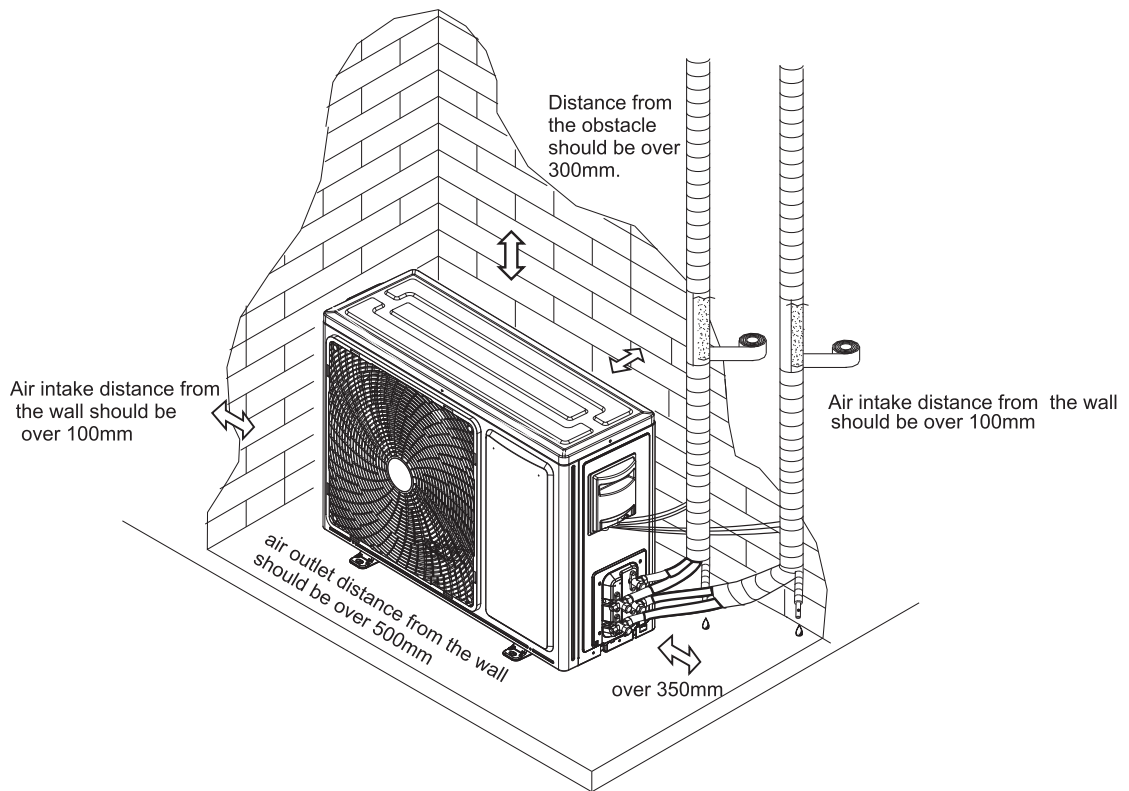
# Refrigerant flow diagram



Up to 5 indoor units (125)

# Installation instructions

## Installation diagram



## Outdoor unit



- Above figure is only a simple presentation of the unit, it may not match the external appearance of the unit you purchased.
- Installation must be performed in accordance with the national wiring standards by authorized personnel only.

# Installation instructions

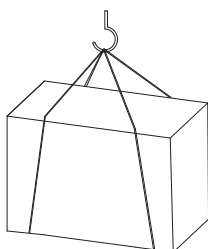
## transportation and handling before installation

Transport the product as close to the installation location as practical before unpacking.

### • Handling Method

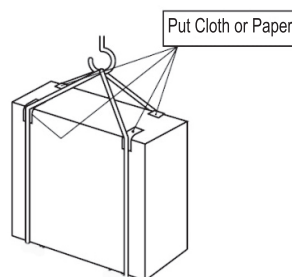
When hanging the unit, ensure a balance of the unit, check safety and lift up smoothly.

- (1) Do not remove any packing materials.
- (2) Hang the unit under packing condition with two ropes, as shown in Fig below.



### • Handling

If have no package to move, Please protect with cloth or paper.



## Installation locations selection

**Before choosing the installation site, obtain user approval.**

- Where it is not exposed to strong wind.
- Where airflow is good and clean.
- Where it is not exposed to rain and direct sunshine.
- Where neighbors are not annoyed by operation sound or hot air.
- Where rigid wall or support is available to prevent the increase of operation sound or vibration.
- Where there is no risk of combustible gas leakage.
- Where it is at least 3m away from the antenna of TV set or radio. An amplifier may be required for the affected device.
- Install the unit horizontally.
- Please install it in an area not affected by snowfall or blowing snow. In areas with heavy snow, please install a canopy, a pedestal and/or some baffle boards.

### ⚠ CAUTION:

Avoid the following places for installation where air conditioner trouble is liable to occur.

- Where there is much machine oil.
- Salty places such as seaside.
- Where sulfide gas is generated such as a hot spring.
- Where there is high-frequency or wireless equipment.

### NOTE:

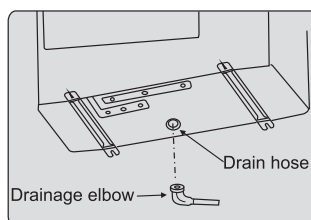
When operating the air conditioner in low outside temperature, be sure to follow the instruction describe below.

- Never install the outdoor unit in a place where its air inlet/outlet side may be exposed directly to wind.
- To prevent exposure to wind, install the outdoor unit with its air inlet side facing the wall.
- To prevent exposure to wind, it is recommended to install a baffle board on the air outlet side of the outdoor unit.

## Drainage elbow and drain hose installation

Install Drainage Elbow and Drain Hose

- The condensate water may drains from the outdoor unit when the unit operates in heating mode. In order to avoid disturbing neighbors also to protect the environment, it is necessary to install a drainage elbow and a drain hose to drain out the condensate water.
- Please do the drainage work before the indoor unit and outdoor unit are connected. Otherwise, it will be difficult to install drainage elbow after the machine becomes immovable.)
- Connect the drain hose (field-supplied, inside diameter: 15mm) as shown in the figure for drainage.



### NOTE:

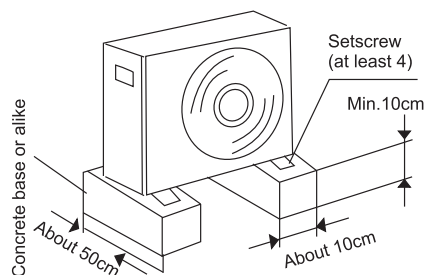
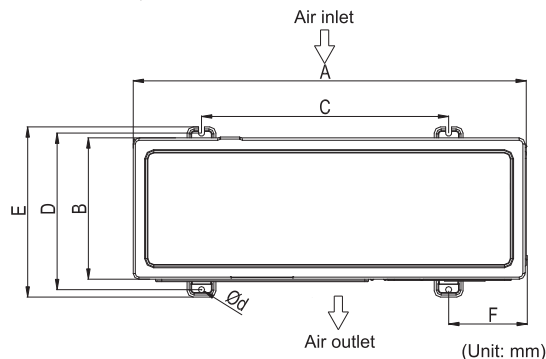
Do not use the drain elbow in the cold region. Drain may freeze to stop the fan runs.

# Installation instructions

## Outdoor unit installation

### ⚠ NOTE:

- Be sure to fix the legs of the units with bolts when installing it.
- Be sure to install the unit firmly to ensure that it does not fall by earthquake or gust.
- The anchor bolts, nuts and washers for the installation are user prepared.



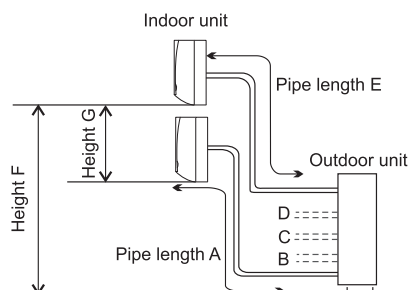
Series	Model (×100W)	A	B	C	D	E	F	d
Up to 2 indoor units	35/42	730	260	480	290	317	125	11×17
	50	810	280	510	310	338	150	11×17
Up to 3 indoor units	42/52/62/72	860	310	542	341	368	168	11×17
Up to 4 indoor units	81/105	950	340	580	380	414	185	15
Up to 5 indoor units	125	950	340	580	380	414	185	15

## Refrigerant piping

### 1. Piping requirement

Model	Outer Diameter of Pipe (mm)	
	Gas	Liquid
35/42/50/52/62/ 72/81/105/125	φ 9.52	φ 6.35

The maximum allowable length of refrigerant piping, and the maximum allowable height difference between the outdoor and indoor units, are listed below. The shorter the refrigerant piping is, the better the performance will be. So the connecting pipe should be as short as possible.



Item	Model	Up to 2 indoor units	Up to 3 indoor units	Up to 4 indoor units	Up to 5 indoor units
		35/42/50	42/52/ 62/72	81/105	125
Piping to each indoor unit (A/B/C/D/E)	m	≤15	≤20	≤20	≤20
Total length of piping between all units	m	A+B≤30	A+B+C≤45	A+B+C+D≤60	A+B+C+D+E≤80
Max Height Between Indoor Unit and Outdoor Unit (F)	m	≤15			
Max Height Between Indoor Units (G)	m	≤7.5			

# Installation instructions

## Additional refrigerant charge

The unit has been filled with refrigerant, but if L (total pipe length) exceeds 15m (35/42/50/52/62/72) /20m (81/105) /25m(125), additional charge with refrigerant (R32) is necessary.

For 35/42/50/52/62/72

Additional refrigerant charge  $= (L-15) \times 12\text{g/m}$

For 81/105

Additional refrigerant charge  $= (L-20) \times 12\text{g/m}$

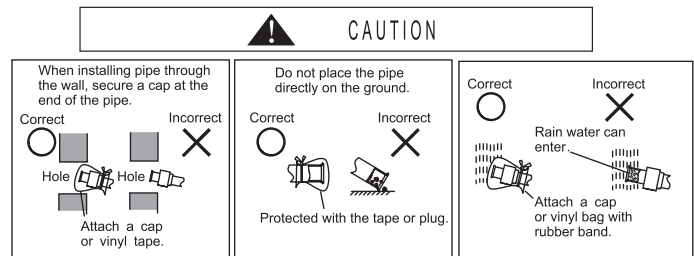
For 125

Additional refrigerant charge  $= (L-25) \times 12\text{g/m}$

## 2. Piping material

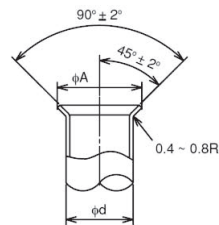
- (1) Prepare the copper pipe on the spot.
- (2) Choose dustless, non-humid, clean copper pipe. Before installing the pipe, use nitrogen or dry air to blow away the dust and impurity on the tube.
- (3) Piping thickness shows as below.

Diameter (mm)	Thickness (mm)
φ 6.35	0.8
φ 9.52	0.8
φ 12.7	0.8
φ 15.88	1.0



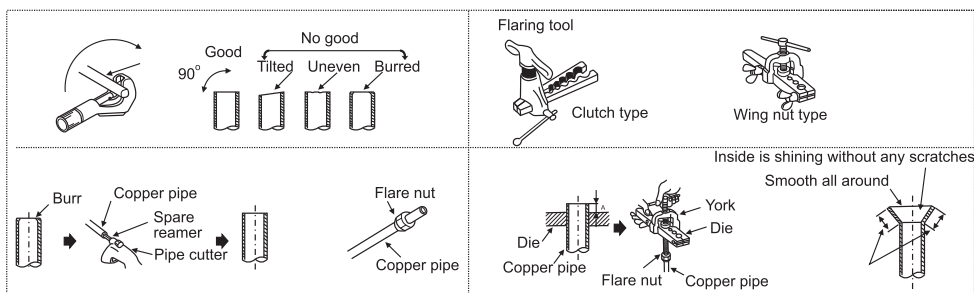
## 3. Processing of refrigerant piping

- (1) Pipe cutting
  - Cut the copper pipe correctly with pipe cutter.
- (2) Burrs removal
  - Completely remove all burrs from the cut cross section of the pipe.
  - Put the end of the copper pipe downward to prevent burrs from dropping in the pipe.
- (3) Putting nut on
  - Remove flare nuts attached to indoor and outdoor units, then put them on pipe having completed burr removal. (Not possible to put them on after flaring work).
  - Flare nut for pipe depending on the diameter of pipe.
- (4) Flaring work
  - Perform flaring work using flaring tool as shown below.
- (5) Check
  - Compare the flared work with the figure below.
  - If flare is noted to be defective, cut off the flared section and perform flaring work again.



(Unit: mm)

Diameter Φd	A <sup>+0</sup> <sub>-0.4</sub>
6.35	9.1
9.52	13.2
12.7	16.6
15.88	19.7





# Installation instructions

## 4. Piping Connection

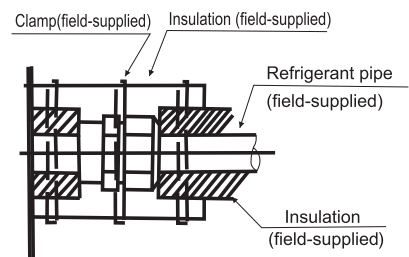
- (1) Confirm that the valve is closed.
- (2) Connect the indoor unit and the outdoor unit with field-supplied refrigerant piping. Suspend the refrigerant piping at certain points and prevent the refrigerant piping from touching the weak part of the building such as wall, ceiling, etc. (If touched, abnormal sound may occur due to the vibration of the piping. Pay special attention in case of short piping length.)
- (3) Tightening the flare nut use two spanners like figure right.
- (4) Apply the refrigerant oil (field-supply) thinly at the seat surface of the flare nut and pipe before connecting and tightening.
- (5) Outdoor refrigerant piping should be connected with stop valves.
- (6) After finishing connecting the refrigerant pipes, keep it warm with the insulation material like figure right after air-tight test.
  - For outdoor unit side, surely insulate every piping including valves.
  - Cover piping joints with pipe cover.
  - Using piping tape, apply taping starting from the entry of outdoor unit. Fix the end of piping tape with adhesive tape.
  - Fix the end of piping tape with adhesive tape.
  - When piping has to be arranged through above ceiling, closet or area where temperature and humidity are high, wind additional commercially sold insulation for prevention of condensation.



Double Spanner work

Pipe Size	Torque
Φ6.35(1/4)	20N · m (2kgf · m)
Φ9.52(3/8)	40N · m (4kgf · m)
Φ12.7(1/2)	60N · m (6kgf · m)
Φ15.88(5/8)	80N · m (8kgf · m)




Tightening Torque for Flare Nut

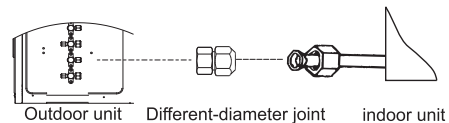


Piping insulation procedure

CAUTION

If the diameter of connection pipe does not match the port size of outdoor unit, select proper different-diameter joints in the accessory according to the following table.

Name	Qty	Purpose
	1	Change pipe diameter from 1/4 inch (6.35mm) to 3/8 inch (9.52mm)
	1	Change pipe diameter from 3/8 inch (9.52mm) to 5/8 inch (15.88mm)
	1	Change pipe diameter from 3/8 inch (9.52mm) to 1/2 inch (12.7mm)



Connect pipes using different-diameter joint

# Installation instructions

## 5. Air Tight Test

Do use Nitrogen.

Connect the gauge manifold using charging hoses with a nitrogen cylinder to check joints of the liquid line and the gas line stop valves.

Perform the air-tight test.

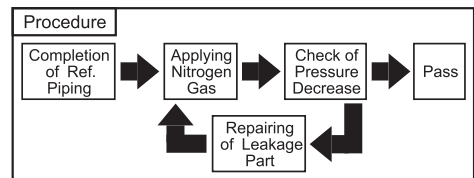
Don't open the gas line stop valves.

Apply nitrogen gas pressure of 4.15MPa.

Check any gas leakage at the flare nut connections, or brazed parts by gas leak detector or foaming agent.

Gas pressure doesn't decrease is OK.

After the air tight test, release nitrogen gas.

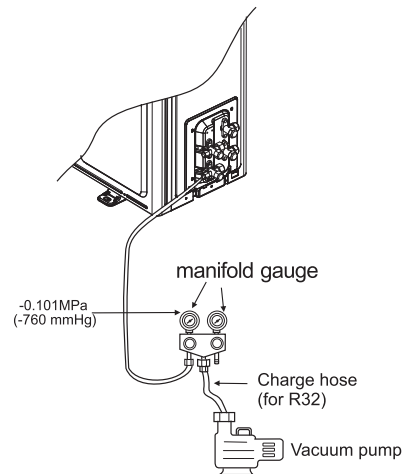


Air tight procedure

## 6. Vacuum pumping and charge refrigerant

### ● Vacuum Pumping

- (1) Remove the service port cap of the stop valve on the gas pipe side of the outdoor unit.
- (2) Connect the manifold gauge and vacuum pump to the service port of the stop valve on the gas pipe side of the outdoor unit.
- (3) Run the vacuum pump. (Work for more than 15 minutes)
- (4) Check the vacuum with the gauge manifold valve, then close the gauge manifold valve and stop the vacuum pump.
- (5) Leave it as is for one or two minutes. Make sure the pointer of the manifold gauge remains in the same position. Confirm that the pressure gauge shows  $-0.101\text{MPa}$  (or  $-760\text{mmHg}$ ).
- (6) Remove the manifold gauge quickly from the service port of the stop valve.
- (7) After refrigerant pipes are connected and evacuated, fully open all stop valves on both sides of gas pipe and liquid pipe.
- (8) Open adjusted valve to add refrigerant (must be refrigerant is liquid).
- (9) Tighten the cap to the service port.
- (10) Retighten the cap.
- (11) Leak test foam with halogen leak detector to check the flare nut and brazing Carolina Department leaks. Use foam that not generates ammonia ( $\text{NH}_3$ ) in the reaction.



- (1) For 35~105 models, each pipelines needs to be evacuated individually.  
For 125, only need to vacuum at the main stop valve.
- (2) An excess or a shortage of refrigerant is the main cause of trouble to the unit. Charge the correct refrigerant quantity according to the description of label at the inside of the manual.
- (3) Check refrigerant leakage in detail. If a large refrigerant leakage occurs, it will cause difficulty with breathing or harmful gases will occur if a fire is being used in the room.

### ● Additional refrigerant charge

The unit has been filled with refrigerant.

Please according "Piping Requirement" to calculate additional charge.

After vacuum pump procedure has been finished, first exhaust air from charge hose, then open valves, charge refrigerant as "liquid" type through Liquid stop valve.

At the end, please close valves and record the refrigerant charging quantity.

# Installation instructions

## Wiring



### WARNING

- Turn OFF the main power switch to the indoor unit and the outdoor unit and wait for more than 3 minutes before electrical wiring work or a periodical check is performed.
- Check to ensure that the indoor fan and the outdoor fan have stopped before electrical wiring work or a periodical check is performed.
- Protect the wires, electrical parts, etc. from rats or other small animals. If not protected, rats may gnaw at unprotected parts and at the worst, a fire will occur.
- Avoid the wiring from touching the refrigerant pipes, plate edges and electrical parts inside the unit.  
If not do, the wires will be damaged and at the worst, a fire will occur.
- Install an ELB (Electric Leakage Break) in the power source.  
If ELB is not used, it will cause electric shock or fire at the worst.
- This unit uses an inverter, which means that it must be used an earth leak detector capable handling harmonics in order to prevent malfunctioning of the earth leak detector itself.
- Do not use intermediate connection wires, stranded wires(see <Attentions when Connect the power supply wiring>), extension cables or control line connection, because the use of these wires may cause fever, electric shock or fire.
- The tightening torque of each screw shall be as follows.
  - M4: 1.0 to 1.3 N·m
  - M5: 2.0 to 2.5 N·m
  - M6: 4.0 to 5.0 N·m
  - M8: 9.0 to 11.0 N·m
  - M10: 18.0 to 23.0 N·mKeep the above tightening torque when wiring work.



### CAUTION

- With tape material along the wire wrapped, sealed wiring holes, prevent the condensed water and insects.
- Tightly secure the power source wiring using the cord clamp inside the unit.

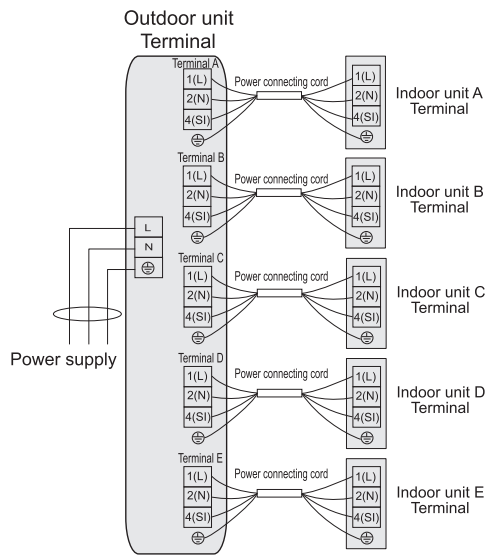
**NOTE:** Fix the rubber bushes with adhesive when conduit tubes to the outdoor unit are not used.

### General Check

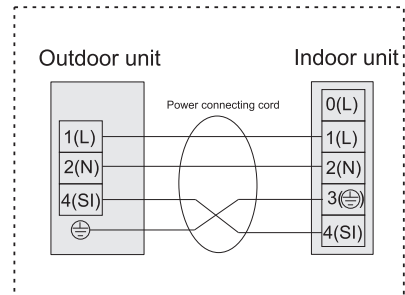
- (1) Make sure that the field-selected electrical components (main power switches, circuit breakers, wires, conduit connectors and wire terminals) have been properly selected according to the electrical data.  
Make sure that the components comply with National Electrical Code (NEC).
- (2) Check to ensure that the voltage of power supply is within +10% of nominal voltage and earth phase is contained in the power supply wires. If not, electrical parts will be damaged.
- (3) Check to ensure that the capacity of power supply is enough.  
If not, the compressor will not be able to operate cause of voltage drop abnormally at starting.
- (4) Check to ensure that the earth wire is connected.
- (5) Install a main switch, multi-pole main switch with a space of 3.5mm or more, single phase main switch with a space of 3.0mm or more between each phase. Please use the special three-phase power switch for 3-Phase product.
- (6) Check to ensure that the electrical resistance is more than 2MΩ, by measuring the resistance between ground and the terminal of the electrical parts. If not, do not operate the system until the electrical leakage is found and repaired.

# Installation instructions

## Electrical wiring diagram



NOTE:  
For some indoor units



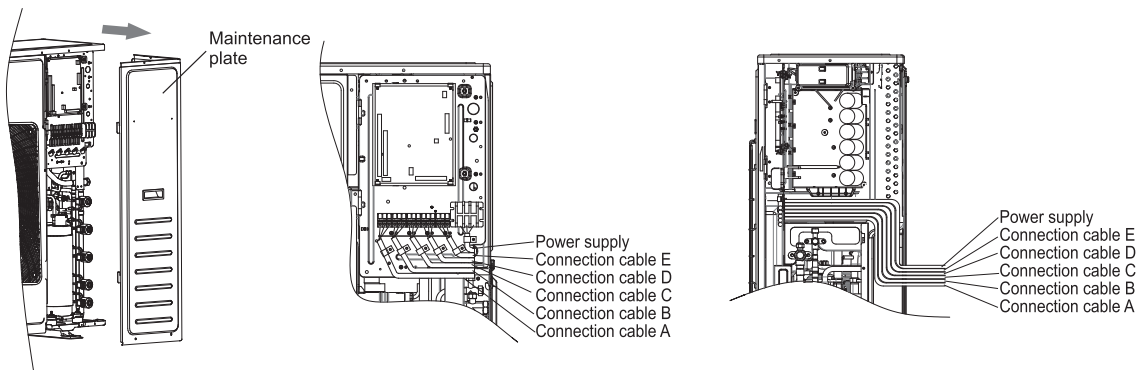
### NOTES:

1. For series up to 2 indoor units, there is no INDOOR UNIT C, D and E.
2. For series up to 3 indoor units, there is no INDOOR UNIT D and E.
3. For series up to 4 indoor units, there is no INDOOR UNIT E.

### Wires connect steps:

Take 125 model for example

- (1) Unscrew the screws on maintenance plate, and remove it as shown by the arrow mark.
- (2) Fasten the power supply cable and the connection cable through conductor hole.
- (3) Connect the power supply cable and the connection cable to terminal.
- (4) Fasten the power supply cable and the connection cable with the cable clamp.
- (5) Put the maintenance plate back after completion of the work.



# Installation instructions

## Electrical Data

Series	Model Capacity	Power Supply	ELB		Power Source Cable Size	Transmitting Cable Size	Circuit Breaker(A)
			Nominal Current (A)	Nominal Sensitive Current (mA)	EN60335-1	EN60335-1	
up to 2 indoor units	35/42/50	220-240V ~, 50Hz	25	30	3×1.5mm <sup>2</sup>	4×1.5mm <sup>2</sup>	25
up to 3 indoor units	42/52/62/72	220-240V ~, 50Hz	32	30	3×2.5mm <sup>2</sup>	4×1.5mm <sup>2</sup>	32
up to 4 indoor units	81/105	220-240V~, 50Hz	32	30	3×2.5mm <sup>2</sup>	4×1.5mm <sup>2</sup>	32
up to 5 indoor units	125	220-240V~, 50Hz	63	30	3×6.0mm <sup>2</sup>	4×1.5mm <sup>2</sup>	63

### Max. Running Current (A): REFER TO NAMEPLATE

#### NOTE:

- (1) Follow local codes and regulations when select field wires, and all the above are the minimum wire size.
- (2) Use the wires which are not lighter than the ordinary polychloroprene sheathed flexible cord.(Cord designation H07RN-F).
- (3) The wire sizes in the above table are selected at the maximum current of the unit according to the European Standard, EN60335-1.
- (4) Install main switch and ELB for each system separately. Select the high response type ELB that is acted within 0.1second.  
In the case that power cables are connected in series, add each unit maximum current and select wires below.

#### Selection According to EN60335-1

Current I (A)	Wire Size (mm <sup>2</sup> )
$i \leq 6$	0.75
$6 < i \leq 10$	1
$10 < i \leq 16$	1.5
$16 < i \leq 25$	2.5
$25 < i \leq 32$	4
$32 < i \leq 40$	6
$40 < i \leq 63$	10
$63 < i$	*

\*: in the case that current exceeds 63A, do not connect cables in series.

# Installation instructions

## Trial Run

Trial run should be performed after refrigerant piping, drain, wiring, etc. have been finished.



The air-conditioner is provided with a crankcase heater, check to ensure that the switch on the main power source has been ON for more than 6 hours ahead of power on preheating, otherwise it might damage the compressor!

Do not operate the system until all the check points have been cleared.

(A) Check to ensure that the stop valves of the outdoor unit are fully opened.

(B) Check to ensure the electric wires has been fully connected.

(C) Check to ensure that the electrical resistance is more than 2 MΩ, by measuring the resistance between ground and the terminal of the electrical parts. If not, do not operate the system until the electrical leakage is found and repaired.

Trial run function identification

Turn ON the appliance to proceed trial run.

Pay attention to the following items while the system is running.

Do not touch any of the parts by hand at the discharge gas side, since the compressor chamber and the pipes at the discharge side are heated higher than 90°C.

Test if the appliance can run well.

- Turn off the power after trial run is finished.  
Installation of the appliance is generally finished after the above operations are done. If you still have any trouble, please contact local technical service center of our company for further information.





#### Correct Disposal of this product

This marking indicates that this product should not be disposed with other household wastes throughout the EU. To prevent possible harm to the environment or human health from uncontrolled waste disposal, recycle it responsibly to promote the sustainable reuse of material resources. To return your used device, please use the return and collection systems or contact the retailer where the product was purchased. They can take this product for environmental safe recycling.

Hisense (Shandong) Air-conditioning Co., Ltd.  
No.1 Hisense Road, Nancun, Pingdu, Qingdao, Shandong Province, P. R. China



# Hisense

## ISTRUZIONI D'USO E D'INSTALLAZIONE

Model:

2AMW35U4RRA

2AMW42U4RRA

3AMW42U4RJA

2AMW50U4RXA

3AMW52U4RJA

3AMW62U4RFA

3AMW72U4RFA

4AMW81U4RAA

4AMW105U4RAA

5AMW125U4RTA

Grazie mille per aver acquistato questo condizionatore d'aria.

Si prega di leggere attentamente le presenti istruzioni di installazione e d'uso prima di installare e usare il prodotto e di conservare questo manuale per una futura consultazione.

# Istruzioni originali

## Indice

<b>Precauzioni di sicurezza</b> .....	<b>1</b>
<b>Schema del flusso di refrigerazione</b> .....	<b>9</b>
<b>Istruzioni di installazione</b> .....	<b>11</b>
Schema di installazione.....	11
Trasporto e movimentazione precedenti l'installazione.....	12
Selezionare il luogo di installazione.....	12
Installare gomito drenaggio e tubo di scarico.....	12
Installazione esterna.....	13
Tubo del refrigerante.....	13
Cablaggio.....	17
Collaudo.....	20

# Precauzioni di sicurezza

1. Questo climatizzatore utilizza il nuovo refrigerante HFC (R32).
2. Dato che la pressione di esercizio max. è di 4.3/4.15MPa (R22:3.1MPa), alcune tubazioni e strumenti di installazione e manutenzione sono speciali.
3. L'alimentazione di questo climatizzatore è 220-240V ~ 50Hz.

## Per garantire la corretta installazione leggere attentamente queste PRECAUZIONI DI SICUREZZA.

- Assicurarsi di utilizzare un circuito di alimentazione dedicato, e di non mettere altri carichi sulla rete di alimentazione.
  - Prima dell'installazione assicurarsi di leggere attentamente queste PRECAUZIONI DI SICUREZZA.
  - Assicurarsi di rispettare le PRECAUZIONI DI SICUREZZA riportate nel manuale di installazione, contenente argomenti importanti per la sicurezza. Di seguito vengono fornite le definizioni per l'identificazione dei livelli di pericolo con la relativa segnaletica.
- ⚠ATTENZIONE: Operazioni o attività pericolose che POSSONO provocare lesioni personali gravi o la morte.
- ⚠AVVERTENZA: operazioni e attività pericolose o improprie che possono provocare lesioni personali minori o danni al prodotto o alle proprietà.
- Conservare con cura il manuale dell'unità interna ed esterna per riferimenti futuri.



- L'installazione va eseguita da professionisti del settore, come da normative vigenti. Un'installazione incompleta potrebbe causare danni da incendio, scosse elettriche, cadute o perdite d'acqua. Rivolgersi al proprio rivenditore o a personale di installazione qualificato.
- Installare il climatizzatore su una base solida che ne possa sostenere il peso. Una base inadeguata o un'installazione incompleta può causare lesioni in caso di caduta dell'unità dalla base.
- Per collegamenti elettrici in sicurezza tra le unità interne ed esterne utilizzare il tipo di cavo specificato. E saldamente collegato al lato di connessione dei terminali del cavo, in modo da evitare che il cavo sforzi queste parti. Una connessione incompleta può provocare incendi.
- Per il cablaggio, utilizzare un cavo abbastanza a lungo per coprire l'intera distanza senza connessioni. E non collegare più dispositivi alla stessa rete di alimentazione. Altrimenti, può essere causa di cattivo contatto, scarso isolamento, superamento della corrente ammissibile e causa di incendi o di folgorazioni.
- Dopo aver completato l'installazione accertarsi che non ci siano perdite di refrigerante. Se la perdita avviene all'interno, entrando a contatto con il calore o la fiamma di una stufa, genererà sostanze dannose.
- Eseguire l'installazione in modo sicuro facendo riferimento al manuale d'installazione. Un'installazione incompleta può provocare lesioni alla persona dovute a incendi, scosse elettriche, alla caduta dell'unità o a perdite d'acqua.
- Accertarsi di utilizzare una linea elettrica dedicata, in conformità alle istruzioni di installazione degli impianti elettrici.
- Una portata del circuito di alimentazione o dell'impianto elettrico inadeguata può causare incendi o scosse elettriche.
- Fissare il coperchio elettrico all'unità interna e il pannello di manutenzione all'unità esterna.
- Un coperchio elettrico dell'unità interna o un pannello di servizio dell'unità esterna non adeguatamente fissato può causare incendi o folgorazioni provocate da polvere, acqua, ecc.
- Prima dell'installazione della scheda elettronica interna o del cablaggio assicurarsi di aver scollegato l'alimentazione principale. Altrimenti sarà causa di folgorazioni.
- L'installazione del dispositivo va fatta in conformità alla vigente normativa nazionale e locale.
- La scelta del luogo di installazione dell'unità esterna dovrebbe tener conto della sicurezza delle persone e di altri piccoli animali, evitando che possano venire a contatto con i componenti elettrici, tenere l'unità esterna nell'ambiente circostante pulita e ordinata.
- Quando si installa o si riposiziona l'unità, assicurarsi che nessuna sostanza oltre al refrigerante specificato (R32) entri nel circuito refrigerante. Qualsiasi presenza di sostanze estranee come l'aria può causare un aumento anomalo della pressione o un'esplosione.

# Precauzioni di sicurezza



- **Messa a terra**  
Non collegare il cavo di terra ad un tubo del gas o dell'acqua, a un parafulmini o al filo di terra della linea telefonica.  
Una messa a terra inadeguata potrebbe causare folgorazioni.
- Non installare l'unità in un luogo in cui vi sono perdite di gas infiammabili.  
Se le perdite di gas si accumulano nella zona circostante l'unità, potrebbero causare un'esplosione.
- Serrare un dado svasato con una chiave dinamometrica come specificato in questo manuale.  
Se avvitato troppo stretto, il dado svasato rischia di rompersi dopo un lungo periodo e causare una perdita di refrigerante.
- Installare un interruttore differenziale a seconda del luogo di installazione (in presenza di umidità).  
La mancata installazione di un interruttore differenziale potrebbe causare folgorazioni.
- Eseguire le operazioni di drenaggio/cablaggio in modo sicuro seguendo il manuale di installazione.
- Qualora sia presente un difetto nelle operazioni di drenaggio/cablaggio, l'apparecchio potrebbe lasciar cadere gocce d'acqua che potrebbero bagnare o danneggiare beni domestici.

## Istruzioni di sicurezza

- Non lasciare entrare aria nel sistema di refrigerazione o di scarico del refrigerante quando si sposta il condizionatore d'aria.
- Le istruzioni di installazione per gli apparecchi che devono rimanere connessi permanentemente ai cavi elettrici fissi, e hanno una corrente di dispersione che può superare i 10 mA, devono indicare che è consigliabile l'installazione di un interruttore differenziale (RCD) con una corrente operativa residua nominale non superiore a 30 mA.
- Questo apparecchio può essere utilizzato da bambini di età superiore agli 8 anni e persone con ridotte capacità fisiche, sensoriali o mentali o mancanza di esperienza e conoscenza, qualora siano controllati o istruiti all'uso dell'apparecchio in modo sicuro e comprendano i rischi derivanti. I bambini non devono giocare con l'apparecchio. La pulizia e la manutenzione da parte dell'utente non devono essere effettuate da bambini non sorvegliati.
- Se il cavo di alimentazione è danneggiato, deve essere sostituito dal produttore, dal suo servizio di assistenza o da personale qualificato al fine di evitare situazioni pericolose.
- L'installazione deve essere realizzata in conformità alle normative sul cablaggio nazionali.
- La manutenzione deve essere eseguita solamente dal produttore, come raccomandato.
- La manutenzione e la riparazione che richiedono l'assistenza di professionisti qualificati sono effettuate sotto la supervisione dell'addetto competente nell'uso di refrigeranti infiammabili.
- Gli interruttori di spegnimento, che prevedano lo spegnimento completo in tutti i poli, devono essere incorporati nel cablaggio fisso in conformità alle norme in materia di cablaggio elettrico. È necessario consentire la disconnessione dell'apparecchio dall'alimentazione elettrica dopo l'installazione. Garantire la disconnessione dell'apparecchio dall'alimentazione durante l'assistenza e la manutenzione, prevedere una disconnessione con un sistema di blocco in posizione isolata.
- Il metodo di collegamento dell'apparecchio alla rete elettrica e l'interconnessione di componenti separati e lo schema elettrico con una chiara indicazione delle connessioni e del cablaggio ai dispositivi di controllo esterni e al cavo di alimentazione sono descritti di seguito.
- Bisogna utilizzare un cavo di tipo H05RN-F o del tipo elettricamente equivalente per il collegamento dell'alimentazione e l'interconnessione tra l'unità esterna e l'unità interna. Le dimensioni del cavo sono dettagliate nelle sezioni sottostanti.
- I dettagli relativi al tipo e alla classificazione dei fusibili o alla classificazione degli interruttori/ dispersore elettrico (ELB) sono riportati in dettaglio nelle sezioni sottostanti.
- Le informazioni relative alle dimensioni dello spazio necessario per la corretta installazione dell'apparecchio, comprese le distanze minime ammissibili per le strutture adiacenti, sono dettagliate nelle sezioni sottostanti.
- Questo apparecchio è destinato all'uso da parte di utenti esperti o addestrati nei negozi, nell'industria leggera e nelle aziende agricole, o per uso commerciale da parte di non professionisti.

# Precauzioni di sicurezza

## Precauzioni per l'utilizzo del refrigerante R32

Le procedure per le operazioni di installazione di base sono le stesse che per il refrigerante convenzionale (R22 o R410A).

Prestare tuttavia attenzione ai seguenti punti:

### AVVERTENZA

1. **Trasporto di apparecchiature contenenti refrigeranti infiammabili.**  
Si richiama l'attenzione sul fatto che possono esistere regole di trasporto aggiuntive per quanto riguarda le apparecchiature contenenti gas infiammabile. Il numero massimo di pezzi di equipaggiamento o di configurazione dell'apparecchiatura, che possono essere trasportati insieme, saranno determinati dalle norme sul trasporto applicabili.
2. **Contrassegnare le apparecchiature con simboli esplicativi**  
Le segnalazioni per apparecchi simili (contenenti refrigeranti infiammabili) utilizzati in un'area di lavoro sono generalmente disciplinati dalle normative locali e forniscono i requisiti minimi per la fornitura di segnali di sicurezza e/o di salute per un luogo di lavoro. Tutti i segnali obbligatori devono essere soggetti a manutenzione e i datori di lavoro sono tenuti a garantire che i dipendenti ricevano istruzioni e formazione adeguate e sufficienti sul significato dei segnali di sicurezza appropriati e sulle azioni da intraprendere in relazione a questi ultimi. L'efficacia dei segnali non deve essere attenuata da troppi segnali posizionati insieme. Qualsiasi pittogramma utilizzato deve essere il più semplice possibile e contenere solo dettagli essenziali.
3. **Smaltimento delle apparecchiature che utilizzano refrigeranti infiammabili**  
Conformità alle normative nazionali
4. **Conservazione delle attrezzature / apparecchiature**  
La conservazione delle apparecchiature deve essere conforme alle istruzioni del produttore.
5. **Conservazione delle apparecchiature imballate (invendute)**
  - L'imballaggio di protezione per lo stoccaggio deve essere costruito in modo da prevenire il danneggiamento delle apparecchiature contenute con perdite della carica di gas refrigerante.
  - Il numero massimo di pezzi di apparecchiature immagazzinabili insieme consentito è stabilito dalla normativa locale.
6. **Informazioni sulla manutenzione**
  - 6-1 **Controlli dell'area**  
Prima di iniziare a lavorare su sistemi contenenti refrigeranti infiammabili, sono necessari controlli di sicurezza per assicurarsi che il rischio di incendio sia ridotto al minimo. Per riparazioni al sistema di refrigerazione, prima di eseguire lavori sul sistema, accertarsi che le seguenti precauzioni siano state prese.
  - 6-2 **Procedura di lavoro**  
Il lavoro va eseguito secondo una procedura controllata in modo da ridurre al minimo il rischio che siano presenti gas infiammabili o vapore durante l'esecuzione dei lavori.
  - 6-3 **Area delle operazioni generali**
    - Tutto il personale di manutenzione e chiunque altro operi in ambito locale deve essere istruito sulla natura del lavoro che si sta svolgendo. Evitare di lavorare in spazi ristretti.
    - Delimitare l'area intorno alla zona di lavoro. Accertarsi che le condizioni all'interno della zona siano sicure e che non ci sia materiale infiammabile.
  - 6-4 **Controllo della presenza di refrigerante**
    - Prima e durante il lavoro l'area va controllata con un appropriato rilevatore di refrigerante, per assicurarsi che il tecnico sia consapevole di atmosfere potenzialmente infiammabili.
    - Assicurarsi che l'apparecchiatura di rilevamento delle perdite utilizzata sia adatta per l'uso con refrigeranti infiammabili, cioè priva di scintille, adeguatamente sigillata o intrinsecamente sicura.
  - 6-5 **Presenza di estintore**
    - Se si deve eseguire una qualsiasi lavorazione a caldo sugli impianti di refrigerazione o su parti ad essi associate, accertarsi di avere a disposizione estintori appropriati.
    - Disporre di un estintore a polvere secca o CO<sub>2</sub> nelle adiacenze dell'area di ricarica.
  - 6-6 **Nessuna sorgente di accensione**
    - Nessuna persona coinvolta in operazioni relative ad un sistema di refrigerazione che includa l'esposizione di tubazioni che contengono o hanno contenuto refrigerante infiammabile può utilizzare qualsiasi fonte di accensione in modo tale che possa comportare il rischio di incendio o esplosione.
    - Tutte le possibili fonti di accensione, incluso fumare sigarette, vanno tenute sufficientemente lontane dal luogo di installazione, riparazione, rimozione e di smaltimento, nel quale il refrigerante infiammabile può eventualmente essere rilasciato nello spazio circostante.
    - Prima di cominciare le operazioni, va controllata l'area circostante l'apparecchiatura per assicurarsi che non vi siano pericoli di infiammabilità o rischi di accensione. Vanno esposti i segnali di "Vietato fumare".
  - 6-7 **Ventilazione dell'area**
    - Prima delle operazioni sul sistema o lo svolgimento di qualsiasi lavoro a caldo assicurarsi che luogo sia all'aperto o adeguatamente ventilato.
    - Un certo grado di ventilazione è necessario durante tutto il periodo in cui viene svolto il lavoro.
    - La ventilazione deve poter disperdere in modo sicuro qualsiasi refrigerante rilasciato e preferibilmente espellerla all'esterno nell'atmosfera.
  - 6-8 **Controlli alle apparecchiature di refrigerazione**
    - Laddove vengono modificati dei componenti elettrici, questi devono essere idonei allo scopo e con le corrette specifiche.
    - Le linee guida del produttore relative alla manutenzione e assistenza vanno seguite sempre e comunque. Se in dubbio consultare il reparto tecnico del produttore per assistenza.

## AVVERTENZA

- Sugli impianti che utilizzano refrigeranti infiammabili vanno eseguiti i seguenti controlli:
  - La quantità della carica deve essere in conformità con la dimensione della stanza all'interno della quale sono installate le parti contenente il refrigerante;
  - Macchinari e prese di ventilazione funzionanti in modo adeguato e libere da ostruzioni;
  - Se viene utilizzato un circuito di refrigerazione indiretta, il circuito secondario va controllato per rilevare la presenza di refrigerante;
  - Le segnalazioni e le didascalie dell'apparecchiatura devono essere visibili e leggibili. Le didascalie e le segnalazioni illeggibili devono essere corrette;
  - Le tubazioni o i componenti di refrigerazione vanno installati in una posizione dove risulti improbabile che vengano esposti a qualsiasi sostanza che possa corrodere i componenti contenenti il refrigerante, a meno che i componenti non siano costruiti con materiali intrinsecamente resistenti alla corrosione o opportunamente protetti contro la loro corrosione.

### 6-9 Controlli dei dispositivi elettrici

- La riparazione e la manutenzione di componenti elettrici include i controlli di sicurezza iniziali e le procedure di ispezione dei componenti.
- In caso di guasto in grado di compromettere la sicurezza, non collegare il circuito all'alimentazione di rete finché non viene risolto in modo soddisfacente.
- Se il guasto non può essere corretto immediatamente, ma è necessario un funzionamento ininterrotto, utilizzare una soluzione temporanea adeguata.
- Ciò va segnalato al proprietario del dispositivo in modo che tutte le parti ne siano a conoscenza.
- I controlli di sicurezza iniziali includeranno:
  - Che i condensatori siano scaricati: ciò verrà fatto in modo sicuro per evitare la possibilità di scintille;
  - Che nessun componente elettrico sia alimentato e che non vi siano cablaggi esposti durante la carica, il recupero o lo spurgo del sistema;
  - Che ci sia continuità nel collegamento di terra.

### 7. Riparazioni ai componenti sigillati

- Durante le riparazioni ai componenti sigillati, tutte le connessioni all'alimentazione elettrica vanno staccate dalle apparecchiature in manutenzione prima della rimozione di coperchi sigillati, ecc.
- Se durante la manutenzione è assolutamente necessario avere delle apparecchiature elettriche alimentate, allora posizionare nel punto più critico una forma operativa permanente di rivelazione di perdite che avverta di una situazione potenzialmente pericolosa.
- Particolare attenzione deve essere posta a quanto segue per garantire che lavorando su componenti elettrici, l'involucro non venga alterato in modo tale da influenzare il livello di protezione.
- Ciò include danni ai cavi, numero eccessivo di connessioni, terminali non conformi alle specifiche originali, danni alle guarnizioni, montaggio non corretto di pressacavi, etc.
- Assicurarsi che l'apparato sia saldamente montato.
- Assicurarsi che le guarnizioni o i materiali di tenuta non siano degradati al punto da non impedire più l'ingresso di atmosfere infiammabili.
- Le parti di ricambio devono essere conformi alle specifiche del costruttore.  
NOTA: L'impiego di sigillanti ai siliconi può inibire l'efficacia di alcuni tipi di apparecchiature di rilevamento delle perdite.  
Non è necessario isolare i componenti intrinsecamente sicuri prima di operare su di essi.

### 8. Riparazione di componenti a sicurezza intrinseca

- Non applicare carichi induttivi o capacitivi permanenti al circuito senza garantire che questi non supereranno la tensione ammissibile e la corrente consentita per le apparecchiature in uso.
- I componenti a sicurezza intrinseca sono gli unici sui quali si può operare mentre sono collegati alla rete elettrica in presenza di un'atmosfera infiammabile. L'apparecchiatura di prova deve essere della portata nominale corretta.
- Sostituire i componenti solo con parti specificate dal produttore.
- Altre parti potrebbero causare l'accensione del refrigerante fuoriuscito nell'atmosfera da una perdita.

### 9. Cablaggio

- Controllare che il cablaggio non venga sottoposto ad usura, corrosione, pressione eccessiva, vibrazioni, bordi taglienti o altri effetti ambientali negativi.
- Il controllo deve inoltre tenere conto degli effetti dell'invecchiamento o delle vibrazioni continue di componenti quali compressore o ventole.

## AVVERTENZA

### 10. Rilevamento dei refrigeranti infiammabili

- Per la ricerca o la rilevazione di perdite di refrigerante non utilizzare in nessun caso potenziali fonti di accensione.
- Non devono essere utilizzate torce alogenure (o qualsiasi altro rilevatore che utilizzi una fiamma libera).

### 11. Metodi di rilevamento delle perdite

I seguenti metodi di rilevamento delle perdite sono ritenuti accettabili per sistemi contenenti refrigeranti infiammabili:

- Si possono usare rilevatori di perdite elettronici per rilevare refrigeranti infiammabili, ma la sensibilità può non essere adeguata, o può richiedere la ricalibrazione. (Le apparecchiature di rilevamento vanno tarate in un ambiente privo di refrigerante.)

- Assicurarsi che il rivelatore non sia una fonte potenziale di accensione e che sia adatto al refrigerante utilizzato.
- Le apparecchiature di rilevamento delle perdite vanno configurate ad una percentuale del LFL del refrigerante ed vanno tarate per il refrigerante utilizzato e confermata la percentuale appropriata di gas (25% massimo).
- I fluidi di rilevamento perdite sono adatti per l'uso con la maggior parte dei refrigeranti ma va evitato l'uso di detergenti contenenti cloro dato che questo può reagire con il refrigerante e corrodere le tubazioni in rame.
- Se si sospetta una perdita, tutte le fiamme libere devono essere spente/rimosse.
- Se viene rilevata una perdita di refrigerante che richiede la brasatura, va recuperato tutto il refrigerante dal sistema, oppure questo va isolato (per mezzo di valvole di intercettazione) in una parte del sistema non soggetta a perdite.
- Va quindi immesso azoto privo di ossigeno (OFN) per spurgare il sistema sia prima che durante il processo di brasatura.

### 12. Rimozione ed evacuazione

- Quando si interviene nel circuito refrigerante per effettuare riparazioni - o per qualsiasi altro motivo - vanno impiegate procedure convenzionali.
- Tuttavia è importante seguire la prassi migliore e tener conto dell'infiammabilità.
- Rispettare la seguente procedura:
  - Rimuovere il refrigerante;
  - Spurgare il circuito con gas inerte;
  - Evacuare;
  - Spurgare nuovamente con gas inerte;
  - Aprire il circuito tramite taglio o brasatura.
- La carica di refrigerante deve essere recuperata in bombole di recupero appropriate.
- Va eseguito il "flussaggio" del sistema con OFN per rendere sicura l'unità.
- Può essere necessario ripetere questa procedura più volte.
- Per questa operazione non deve essere utilizzata aria compressa o ossigeno.
- Il flussaggio viene ottenuto interrompendo il vuoto nel sistema tramite OFN e continuando il riempimento fino a raggiungere la pressione di lavoro, quindi sfiato alla pressione atmosferica, e infine riportando il vuoto.
- Questo processo va ripetuto fino a quando non c'è più refrigerante nel sistema. Quando si impiega la carica finale di OFN, il sistema deve essere sfiato fino alla pressione atmosferica per consentire le operazioni di manutenzione.
- Questa operazione è assolutamente indispensabile se si devono eseguire brasature sulle tubazioni.
- Assicurarsi che la presa per la pompa a vuoto non sia vicino a fonti di accensione e che sia disponibile la ventilazione.

### 13. Procedure di ricarica

- Oltre alle procedure di ricarica convenzionali, vanno seguite le seguenti raccomandazioni:
  - Garantire che non si verifichi la contaminazione di refrigeranti diversi quando si utilizza l'attrezzatura di carica.
  - Manicotti o raccordi devono essere il più corti possibili per ridurre al minimo la quantità di refrigerante contenuto in essi.
  - le bombole devono essere tenute in posizione verticale.
  - Prima di caricare il sistema con refrigerante accertarsi che il sistema di refrigerazione sia collegato a terra.
  - Etichettare il sistema quando la carica è completa (se non lo è già).
  - Prestare estrema attenzione a non riempire in eccesso il sistema di refrigerazione.
  - Prima di essere ricaricato il sistema deve essere testato sotto pressione con OFN.
- Al completamento della carica, ma prima della sua messa in funzione, il sistema va sottoposto al controllo di perdite.
- Prima di lasciare il sito deve essere eseguita un'ulteriore prova di tenuta.

### 14. Rottamazione

- Prima di eseguire questa procedura, è essenziale che il tecnico abbia completa familiarità con l'apparecchio e tutti i relativi dettagli.
- Adottare tutti gli accorgimenti in grado di garantire il recupero di tutto il refrigerante in modo sicuro.

## AVVERTENZA

Prima di eseguire questa operazione, prendere un campione d'olio e di refrigerante in caso sia richiesta un'analisi prima del riutilizzo di refrigerante recuperato. Accertarsi che sia disponibile la corrente elettrica prima di iniziare questa operazione.

- a) Acquisire familiarità con l'apparecchio e con il suo funzionamento.
- b) Isolare elettricamente il sistema.
- c) Prima di eseguire la procedura assicurarsi che:
  - Siano disponibili attrezzature meccaniche di movimentazione, se necessario, per lo spostamento delle bombole di refrigerante;
  - Siano disponibili e utilizzate correttamente tutte le attrezzature di protezione individuale;
  - Il processo di recupero sia seguito in ogni sua fase da una persona competente;
  - Le apparecchiature di recupero e le bombole siano conformi agli standard appropriati.
- d) Eseguire il depompaggio del sistema refrigerante, se possibile.
- e) Se il vuoto non è possibile, preparare un collettore in modo che il refrigerante possa essere rimosso da varie parti del sistema.
- f) Assicurarsi che la bombola si trovi sulla bilancia prima delle operazioni di recupero.
- g) Avviare la macchina di recupero ed operarla secondo le istruzioni del produttore.
- h) Non riempire troppo le bombole. (Non più dell'80% del volume liquido della carica).
- i) Non superare la pressione massima di esercizio della bombola, neanche temporaneamente.
- j) Quando le bombole sono state correttamente riempite e il processo completato, assicurarsi che le bombole e le apparecchiature siano prontamente rimosse dal sito e che tutte le valvole di isolamento delle apparecchiature siano chiuse.
- k) Il refrigerante recuperato non va reimesso in un altro sistema di refrigerazione a meno che non sia stato pulito e controllato.

### 15. Etichettatura

L'apparecchiatura deve essere etichettata con la dicitura che è stata de-commissionata e svuotata del refrigerante. L'etichetta deve essere datata e firmata. Assicurarsi che non ci sono etichette sull'apparecchiatura con la dicitura che contiene refrigerante infiammabile.

### 16. Recupero

- Quando si rimuove refrigerante da un impianto, sia per la manutenzione che per la rottamazione, si raccomanda la rimozione di tutto il refrigerante in sicurezza.
- Durante il trasferimento del refrigerante nelle bombole, assicurarsi di impiegare solo bombole adatte al recupero di refrigerante.
- Assicurarsi che siano disponibili un numero adeguato di bombole per il contenimento della carica totale del sistema.
- Che tutte le bombole da utilizzare siano omologate per il refrigerante recuperato e etichettate per tale refrigerante (che siano cioè bombole speciali per il recupero del refrigerante).
- Che le bombole siano complete di valvola limitatrice di pressione e che le valvole di intercettazione associate siano in buone condizioni.
- Che le bombole vuote di recupero siano evacuate e, se possibile, raffreddate prima delle operazioni di recupero.
- Che l'apparecchiatura di recupero sia in buone condizioni di funzionamento e completa di kit di istruzioni, e che queste includano il recupero di refrigeranti infiammabili.
- Inoltre, che sia disponibile e in buone condizioni un kit di bilance tarate.
- Che i manicotti siano completi di innesti senza perdite e in buone condizioni operative.
- Prima di utilizzare la macchina di recupero, verificare che sia in buone condizioni di funzionamento, che sia stata mantenuta in modo corretto e che eventuali componenti elettrici associati siano sigillati per evitare accensioni in caso di fuoriuscita di refrigerante.
- In caso di dubbi consultare il produttore.
- Il refrigerante recuperato va restituito al fornitore di refrigerante nella bombola di recupero corretta, e va compilata la relativa Nota di conferimento rifiuti.
- Non mescolare refrigeranti nelle unità di recupero e soprattutto non nelle bombole.
- Se si deve rimuovere il compressore o il relativo olio, assicurarsi che sia stato evacuato ad un livello accettabile per essere sicuri che del refrigerante infiammabile non rimanga all'interno del lubrificante.
- Il processo di evacuazione va effettuato prima di restituire il compressore ai fornitori.
- Per accelerare questo processo utilizzare solo riscaldamento elettrico per il corpo del compressore.
- Lo svuotamento dell'olio di un sistema deve essere eseguito in modo sicuro.



## AVVERTENZA

### 17. Competenza del personale di servizio

Informazioni e formazione

La formazione dovrebbe includere la sostanza di quanto segue:

Informazioni sul potenziale di esplosione dei refrigeranti infiammabili per dimostrare che gli infiammabili possono essere pericolosi se maneggiati senza cura.

Informazioni su potenziali fonti di accensione, in particolare quelle che non sono ovvie, come accendini, interruttori della luce, aspirapolveri, stufe elettriche.

Informazioni sul concetto di componenti sigillati e custodie sigillate secondo IEC 60079-15: 2010.

Informazioni sulle corrette procedure di lavoro:

#### a) Messa in servizio

- Accertarsi che l'area del pavimento sia sufficiente per la carica di refrigerante o che il condotto di ventilazione sia assemblato in modo corretto.
- Collegare i tubi ed eseguire una prova di tenuta prima di caricare il refrigerante.
- Controllare le attrezzature di sicurezza prima della messa in servizio.

#### b) Manutenzione

- Le apparecchiature portatili devono essere riparate all'esterno in un'officina appositamente attrezzata per le unità di manutenzione con refrigeranti infiammabili.
- Garantire una ventilazione sufficiente nel luogo di riparazione.
- Tenere presente che un malfunzionamento dell'apparecchiatura può essere causato da una perdita di refrigerante e c'è la possibilità di una perdita di refrigerante.
- Scaricare i condensatori in modo da non provocare scintille. La procedura standard per cortocircuitare i terminali del condensatore di solito crea scintille.
- Rimontare accuratamente gli involucri sigillati. Se le guarnizioni sono usurate, sostituirle.
- Controllare le attrezzature di sicurezza prima della messa in servizio.

#### c) Riparazione

- Le apparecchiature portatili devono essere riparate all'esterno o in un'officina appositamente attrezzata per le unità di manutenzione con refrigeranti infiammabili.
- Garantire una ventilazione sufficiente nel luogo di riparazione.
- Tenere presente che un malfunzionamento dell'apparecchiatura può essere causato da una perdita di refrigerante e c'è la possibilità di una perdita di refrigerante.
- Scaricare i condensatori in modo da non provocare scintille.
- Quando è richiesta la brasatura, le seguenti procedure devono essere eseguite nel giusto ordine.
  - Rimuovere il refrigerante. Se il recupero non è richiesto dalle normative nazionali, scaricare il refrigerante verso l'esterno. Fare attenzione che il refrigerante scaricato non causi alcun pericolo. Nel dubbio, una persona deve sorvegliare lo sbocco. Prestare particolare attenzione a che il refrigerante scaricato non ritorni nell'edificio.
  - Evacuare il circuito del refrigerante.
  - Spurgare il circuito del refrigerante con azoto per 5 minuti.
  - Evacuare di nuovo (non necessario per i refrigeranti A2L)
  - Rimuovere le parti da sostituire mediante taglio, non con la fiamma.
  - Spurgare il punto di brasatura con azoto durante la procedura di brasatura.
  - Eseguire una prova di tenuta prima di caricare il refrigerante.
- Rimontare accuratamente gli involucri sigillati. Se le guarnizioni sono usurate, sostituirle.
- Controllare le attrezzature di sicurezza prima della messa in servizio.

#### d) Disattivazione

- Se la sicurezza è compromessa quando l'apparecchiatura viene messa fuori servizio. La carica di refrigerante deve essere rimossa prima della messa fuori servizio.
- Garantire una ventilazione sufficiente nella posizione dell'apparecchiatura.
- Tenere presente che un malfunzionamento dell'apparecchiatura può essere causato da una perdita di refrigerante e c'è possibilità di una perdita.
- Scaricare i condensatori in modo da non provocare scintille.
- Rimuovere il refrigerante. Se il recupero non è richiesto dalle normative nazionali, scaricare il refrigerante verso l'esterno. Fare attenzione che il refrigerante scaricato non causi alcun pericolo. In caso di dubbio, una persona deve sorvegliare lo sbocco. Prestare particolare attenzione a che il refrigerante scaricato non galleggi nell'edificio.

#### e) Smaltimento

- Garantire una ventilazione sufficiente sul luogo di lavoro.
- Rimuovere il refrigerante. Se il recupero non è richiesto dalle normative nazionali, scaricare il refrigerante verso l'esterno. Fare attenzione che il refrigerante scaricato non causi alcun pericolo. Nel dubbio, una persona deve sorvegliare lo sbocco. Prestare particolare attenzione a che il refrigerante scaricato non ritorni nell'edificio.
- Evacuare il circuito del refrigerante
- Spurgare il circuito del refrigerante con azoto per 5 minuti.
- Evacuare di nuovo.
- Tagliare il compressore e scaricare l'olio.

# Precauzioni di sicurezza





## ⚠ AVVERTENZA

- L'apparecchiatura deve essere installata, utilizzata e conservata in un locale con una superficie superiore a X (X vedere il manuale di istruzioni dell'unità interna).
- L'installazione delle tubazioni deve essere mantenuta in un locale con una superficie superiore a X (X vedere il manuale di istruzioni dell'unità interna).
- L'installazione delle tubature deve essere eseguita in conformità con le norme nazionali sul gas.
- La quantità massima di carica di refrigerante è X kg (X vedere di seguito).
- Quando si sposta o si riposiziona il condizionatore d'aria, consultare tecnici esperti nella disconnessione e reinstallazione dell'apparecchio.
- Non posizionare altri prodotti elettrici o effetti personali domestici sotto l'unità interna o esterna.
- La condensa grondante dall'unità potrebbe bagnarli, causando danni o malfunzionamenti.
- Non usare mezzi per accelerare il processo di sbrinamento o per pulire, diversi da quelli raccomandati dal costruttore.
- L'apparecchio deve essere conservato in una stanza senza fonti di combustione in continuo funzionamento (ad esempio, fiamme libere, apparecchi che funzionano a gas o dispositivi di riscaldamento elettrico).
- Non perforare né bruciare.
- Considerare il fatto che i refrigeranti possano essere inodore.
- Mantenere le uscite per la ventilazione libere da ogni ostruzione.
- L'apparecchio deve essere conservato in un luogo ben ventilato, dove le dimensioni della stanza corrispondono all'ambiente specificato per il funzionamento.
- L'apparecchio deve essere conservato in una stanza senza fiamme libere in continuo funzionamento (ad esempio un impianto a gas) e priva di fonti di combustione (ad esempio impianti di riscaldamento elettrico).
- Chiunque sia coinvolto nella manutenzione o nell'esecuzione di lavori in un circuito di refrigerazione deve essere munito di certificato valido fornito da un servizio di valutazione accreditato del settore, che ne autorizzi la competenza nella gestione sicura dei refrigeranti in conformità alle specifiche di valutazione industriali riconosciute.
- La manutenzione deve essere eseguita solamente dal produttore, come raccomandato.
- La manutenzione e la riparazione che richiedono l'assistenza di professionisti qualificati sono effettuate sotto la supervisione dell'addetto competente nell'uso di refrigeranti infiammabili.
- L'apparecchio deve essere installato e conservato in modo da evitare danni meccanici.
- I connettori meccanici usati internamente devono essere conformi alla norma ISO 14903. Quando i connettori meccanici vengono riutilizzati internamente, i componenti di isolamento devono essere rinnovati. Quando le giunzioni svasate vengono riutilizzate esternamente, la parte della svasatura deve essere realizzata nuovamente.
- L'installazione della tubatura deve essere mantenuta ad un minimo
- Le connessioni meccaniche devono essere accessibili a scopi di manutenzione.

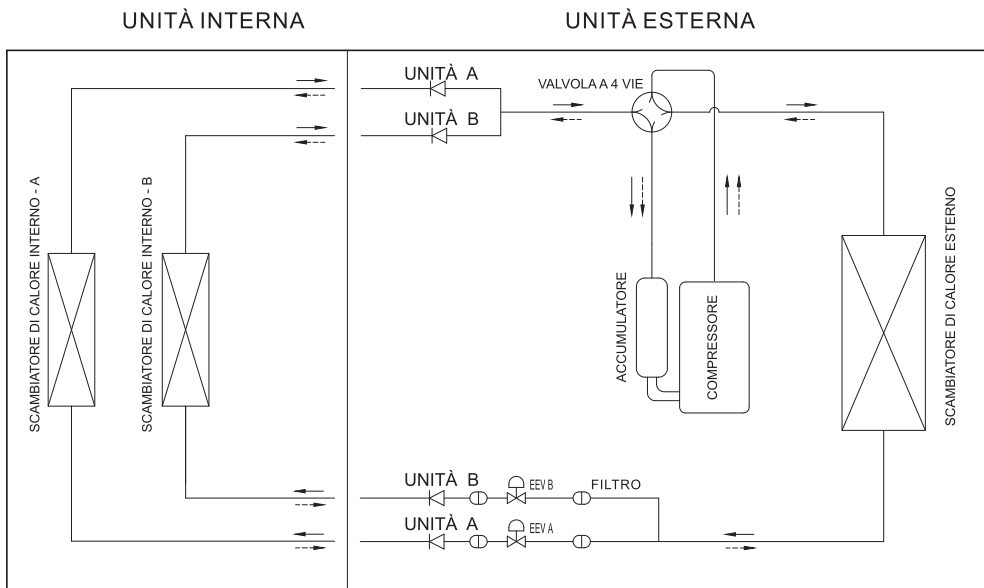
### Max. Quantità di carica di refrigerante X (kg)

Serien	Fino a 2 unità interne		Fino a 3 unità interne				Fino a 4 unità interne		Fino a 5 unità interne
	Modello	35/42	50	42	52	62	72	81	105
Max. Carica di refrigerante (kg)	1.17	1.29	1.71	1.71	1.81	1.81	2.28	2.68	3.98

Spiegazione dei simboli visualizzati sull'unità interna o esterna.

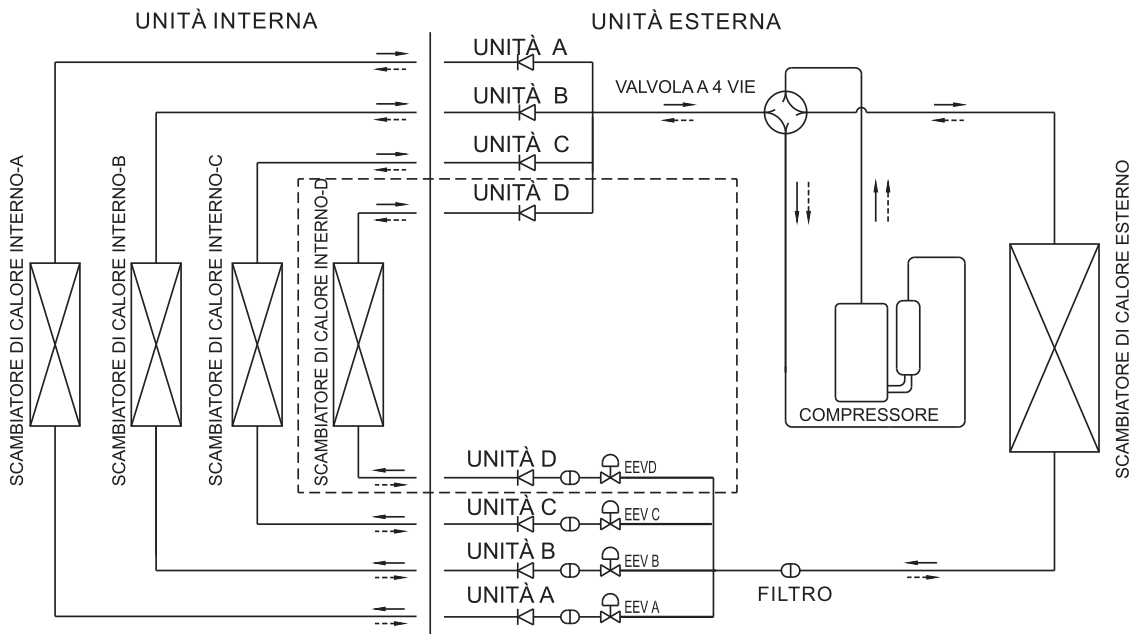
	<b>ATTENZIONE</b>	Questo simbolo indica che l'apparecchiatura utilizza un refrigerante infiammabile. Se è fuoriuscito del refrigerante e viene esposto ad una fonte di accensione esterna, c'è il rischio di incendio
	<b>AVVERTENZA</b>	Questo simbolo indica che il manuale di istruzioni va letto attentamente.
	<b>AVVERTENZA</b>	Questo simbolo indica che l'apparecchio va gestito da tecnici qualificati con riferimento al manuale di installazione.
	<b>AVVERTENZA</b>	Questo simbolo indica che sono disponibili informazioni, quali il manuale di installazione o il manuale operativo.

# Schema del flusso di refrigerazione



← Ciclo di raffreddamento  
 ←- - Ciclo di riscaldamento

Fino a 2 serie di unità interne(35/42/50)

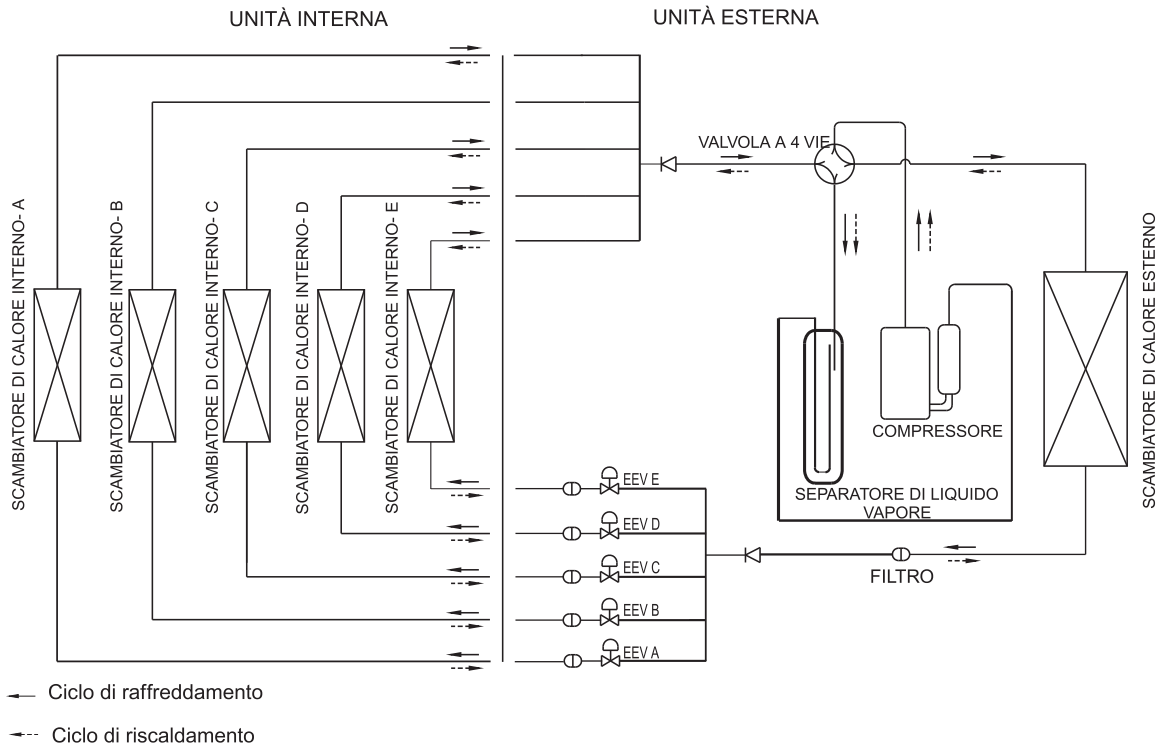


← Ciclo di raffreddamento  
 ←- - Ciclo di riscaldamento

L'UNITÀ D è disponibile solo nel modello da 8.1/10.5kW

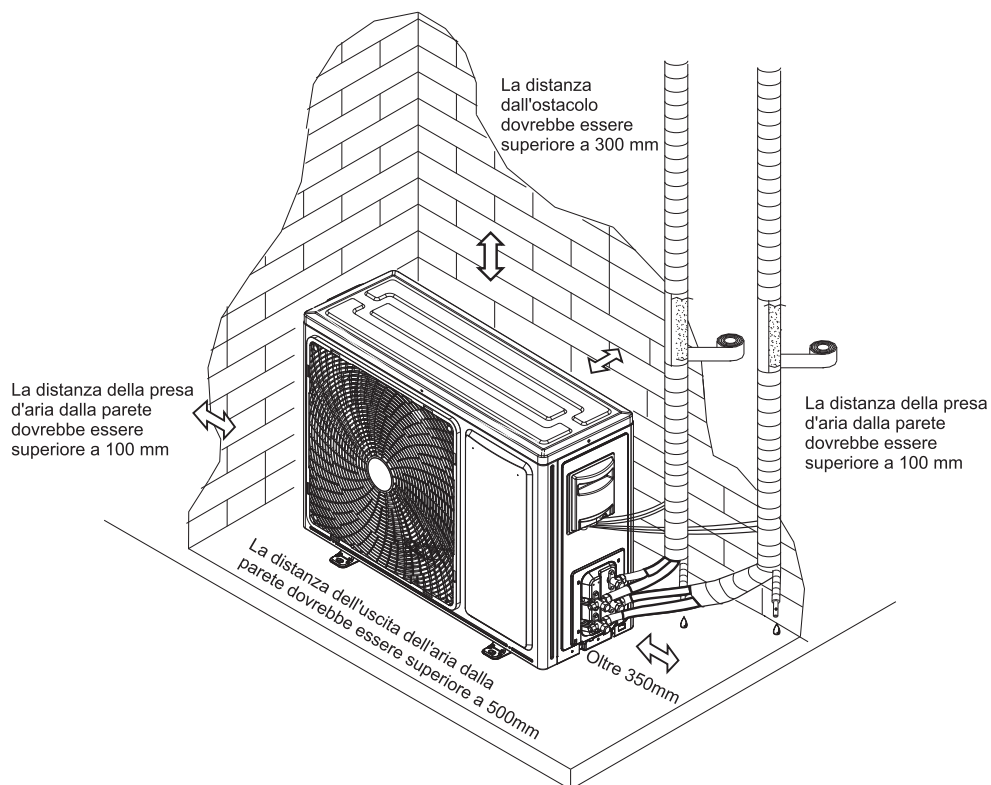
Fino a 3-4 serie di unità interne(42/52/62/72/81/105)

# Schema del flusso di refrigerazione



# Istruzioni di installazione

## Schema di installazione



## Unità esterna



- La figura in alto è solo una semplificazione dell'unità, e potrebbe non corrispondere all'aspetto esterno dell'unità acquistata.
- L'installazione deve essere eseguita in conformità con la normativa elettrica nazionale e solo da personale autorizzato.

# Istruzioni di installazione

## Trasporto e movimentazione precedenti l'installazione

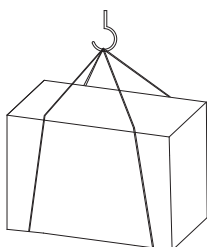
Trasportare il prodotto quanto più vicino al luogo d'installazione prima di disimballarlo.

### • Metodo di sollevamento

Quando si solleva l'unità, assicurarsi che sia bilanciata, garantire la sicurezza e sollevarla leggermente.

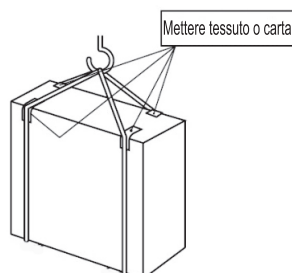
(1) Non rimuovere alcun materiale di imballaggio.

(2) Sollevare l'unità imballata con due funi, come mostrato nella figura in basso.



### • Sollevamento

Se non ci sono contenitori da spostare, proteggere con un panno o della carta.



## Selezionare il luogo di installazione

**Prima di scegliere il luogo di installazione, è necessario ottenere l'approvazione dell'utente.**

- Dove non sia esposto a forte vento.
- Dove il flusso d'aria sia costante e pulito
- Dove non sia esposto alla pioggia e al sole diretto.
- Dove il rumore o l'aria calda non disturbi i vicini.
- In presenza di una parete o di un supporto rigido per prevenire l'aumento del rumore di funzionamento o delle vibrazioni.
- Dove non vi è alcun rischio di fuoriuscita di gas combustibile.
- Distante almeno 3m dall'antenna del televisore o della radio. Potrebbe essere necessario un amplificatore per il dispositivo interessato.
- Installare l'unità orizzontalmente.
- Si prega di installarla in una zona non interessata da precipitazioni nevose o raffiche di neve. Nelle zone con forti nevicate, installare una copertura, un piedistallo e/o dei deflettori.

### ⚠ ATTENZIONE:

Evitare i seguenti luoghi per l'installazione dove potrebbero verificarsi problemi col condizionatore.

- In caso di grosse quantità di olio lubrificante.
- Luoghi con concentrazioni saline come al mare.
- In presenza di gas solforosi, come nel caso di una sorgente calda.
- Dove c'è ad alta frequenza o apparecchiature wireless.

Nota:

Quando si utilizza il condizionatore d'aria a bassa temperatura esterna, assicurarsi di seguire le seguenti istruzioni.

- Non installare l'unità esterna in un luogo in cui il lato d'ingresso/uscita dell'aria possa essere esposto direttamente al vento.
- Per evitare l'esposizione al vento, installare l'unità esterna con il lato d'ingresso dell'aria rivolto verso la parete.
- Per evitare l'esposizione al vento, si raccomanda di installare un deflettore sul lato di uscita dell'aria dell'unità esterna.

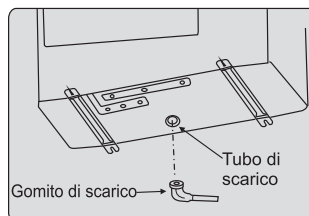
## Installare gomito drenaggio e tubo di scarico

Installare gomito drenaggio e tubo di scarico

• Quando l'unità opera in modalità riscaldamento dall'unità esterna può fuoriuscire acqua di condensa. Per evitare disturbi ai vicini, e anche per salvaguardare l'ambiente, installare un gomito di scarico e un tubo di scarico per svuotare l'acqua di condensa.

• Eseguire il collegamento di scarico prima di collegare l'unità interna a quella esterna. Altrimenti, dopo aver fissato l'unità, il gomito di scarico diventa difficile da installare.

• Collegare il tubo di scarico (fornito, diametro interno: 15mm) come raffigurato per il drenaggio.



Nota:

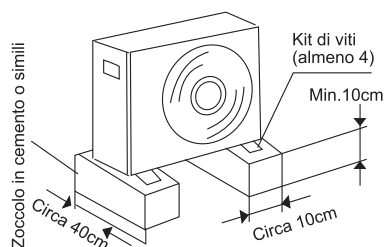
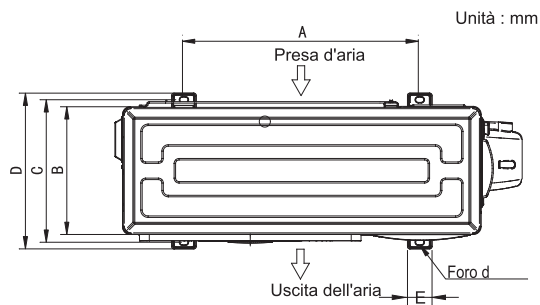
Non usare il gomito di scarico nelle regioni fredde. Lo scarico potrebbe congelare e impedire il funzionamento della ventola.

# Istruzioni di installazione

## Installazione esterna

### ⚠ NOTA:

Durante l'installazione assicurarsi di fissare i piedini dell'unità con bulloni. Assicurarsi di installare saldamente l'unità in modo che non possa cadere in seguito a terremoti o raffiche di vento. I bulloni di ancoraggio, i dadi e le rondelle per l'installazione non sono inclusi.



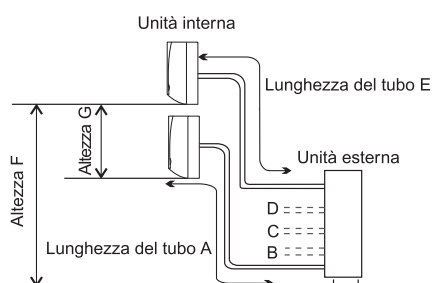
Serien	Modello (×100W)	A	B	C	D	E	F	d
Fino a 2 unità interne	35/42	730	260	480	290	317	125	11×17
	50	810	280	510	310	338	150	11×17
Fino a 3 unità interne	42/52/62/72	860	310	542	341	368	168	11×17
Fino a 4 unità interne	81/105	950	340	580	380	414	185	15
Fino a 5 unità interne	125	950	340	580	380	414	185	15

## Condotto del refrigerante

### 1. Requisito delle tubazioni

Modello	Diametro esterno del tubo (mm)	
	Gas	Liquido
35/42/50/52/62/ 72/81/105/125	φ 9,52	φ 6,35

Di seguito sono elencate la lunghezza massima consentita per le tubazioni del refrigerante e la differenza di altezza massima consentita tra l'unità esterna e interna. Più è corta la tubazione del refrigerante, migliori saranno le prestazioni. Quindi il tubo di collegamento dovrebbe essere il più corto possibile.



Item	Model	Fino a 2 unità interne	Fino a 3 unità interne	Fino a 4 unità interne	Fino a 5 unità interne
		35/42/50	42/52/62/72	81/105	125
Tubazioni per ciascuna unità interna (A/B/C/D/E)	m	≤15	≤20	≤20	≤20
Lunghezza totale delle tubazioni tra tutte le unità	m	A+B≤30	A+B+C≤45	A+B+C+D≤60	A+B+C+D+E≤80
Altezza massima tra unità interna e unità esterna (F)	m	≤15			
Altezza massima tra le unità interne (G)	m	≤7.5			

# Istruzioni di installazione

## Carica aggiuntiva di refrigerante

L'unità è stata riempita di refrigerante, ma se L (lunghezza totale del tubo) supera 15 m (35/42/50/62/72) /20m (81/105) /25m(125), è necessaria una carica aggiuntiva di refrigerante (R32).

Per 35/42/50/52/62/72

Carica aggiuntiva di refrigerante = (L-15)x12g/m

Per 81/105

Carica aggiuntiva di refrigerante = (L-20) x12g/m

Per 125

Carica aggiuntiva di refrigerante = (L-25)x12g/m

## 2. Requisiti delle tubazioni

- Preparare i tubi in rame acquistati da un fornitore locale.
- Selezionare tubi in rame puliti Assicurarsi che non vi sia polvere e umidità all'interno dei tubi. Pulire l'interno dei tubi con soffi di azoto o aria asciutta, per rimuovere polvere o corpi estranei prima di collegare i tubi.
- Spessore tubazioni e materiali usare i seguenti tubi.

( mm )

Diametro	Spessore	Materiale
φ 6.35	0.8	O
φ 9.52	0.8	O
φ 12.7	0.8	O
φ 15.88	1.0	O

Il materiale è conforme a uno standard JIS (JIS B8607).



## 3. Trattamento delle tubazioni del refrigerante

### (1) Tagliatubi

- Tagliare correttamente il tubo di rame con il tagliatubi.

### (2) Rimozione delle sbavature

- Rimuovere completamente tutte le sbavature dalla sezione di taglio trasversale del tubo.
- Tenere l'estremità del tubo di rame rivolta verso il basso per evitare che le sbavature entrino nel tubo.

### (3) Inserimento dei raccordi

- Rimuovere i raccordi svasati collegati alle unità interne ed esterne, quindi inserirli nel tubo dopo averne rimosso completamente le sbavature. (Non è possibile inserirli dopo le operazioni di svasatura).

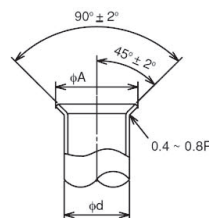
- Dado svasato per tubo a secondo del suo diametro.

### (4) Operazioni di svasatura

- Eseguire le operazioni di svasatura utilizzando la cartellatrice, come illustrato di seguito.

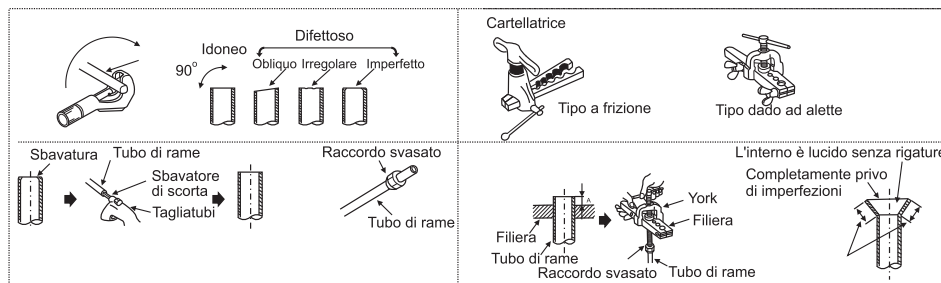
### (5) Controllo

- Confrontare l'operazione di svasatura con la figura qui sotto.
- Qualora la svasatura sia difettosa, tagliare la parte svasata e rieseguire la svasatura.



( mm )

Diametro φd	A <sup>+0</sup> <sub>-0.4</sub>
6.35	9.1
9.52	13.2
12.7	16.6
15.88	19.7





# Istruzioni di installazione

## 4. COLLEGAMENTO DEI TUBI

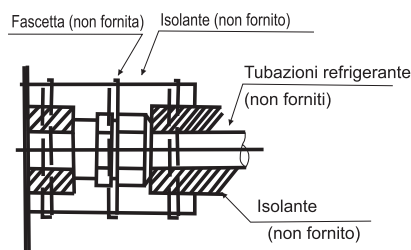
- (1) Controllare che la valvola sia chiusa.
- (2) Collegare l'unità interna e quella esterna con i tubi per refrigerante che ci si è procurati. Sollevare i tubi del refrigerante in alcuni punti e impedire che tocchino le parti più deboli della costruzione, come pareti, soffitto, ecc.  
(In caso contrario, potrebbero avvertirsi rumori anomali causati dalle vibrazioni della tubazione. Prestare particolare attenzione in caso di lunghezza delle tubazioni ridotta.)
- (3) Stringere il raccordo svasato utilizzando due chiavi come indicato nella figura a destra.
- (4) Prima del collegamento e del serraggio applicare sulla superficie della svasatura del raccordo uno sottile strato di olio per refrigerante (non fornito).  
Durante il serraggio del dado svasato, utilizzare due chiavi.
- (5) Le tubazioni esterne del refrigerante vanno collegate alla valvola di intercettazione.
- (6) Dopo aver terminato il collegamento dei tubi del refrigerante, tenerli al caldo con del materiale isolante come indicato nella figura a destra.
  - Per il lato unità esterna, isolare tutte le tubazioni, valvole incluse.
  - Coprire le giunzioni dei tubi con gli appositi rivestimenti.
  - Utilizzando nastro per tubi, applicare il rivestimento partendo dall'entrata dell'unità esterna. Fissare l'estremità conica del tubo con nastro adesivo.
  - Fissare l'estremità conica tubo con nastro adesivo.
  - Quando le tubazioni devono passare lungo soffitto, sgabuzzino o area in cui temperatura e umidità sono elevate, per prevenire la formazione di condensa avvolgere una maggior quantità di materiale isolante.



Operazione con due chiavi

Dimensione Della Tubatura	Coppia di serraggio
Φ 6.35(1/4)	20N · m (2kgf · m)
Φ 9.52(3/8)	40N · m (4kgf · m)
Φ 12.7(1/2)	60N · m (6kgf · m)
Φ 15.88(5/8)	80N · m (8kgf · m)

Coppia di serraggio per raccordo svasato



Procedura di isolamento delle tubazioni



### ATTENZIONE

Se il diametro del tubo di collegamento non corrisponde alla dimensione della porta dell'unità esterna, selezionare giunti di diametro diverso adeguati nell'accessorio secondo la tabella seguente.

Nome	Qtà.	Scopo
	1	Cambiare il diametro del tubo da 1/4 pollici (6,35mm) a 3/8 pollici (9,52mm)
	1	Cambiare il diametro del tubo da 3/8 pollici (9,52mm) a 5/8 pollici (15,88mm)
	1	Cambiare il diametro del tubo da 3/8 pollici (9,52mm) a 1/2 pollice (12,7mm)



Collegare i tubi usando un giunto di diametro diverso

# Istruzioni di installazione

## 5. Test di tenuta d'aria

### ● Test di tenuta d'aria - Utilizzare azoto

Collegare il manometro con una bombola di azoto agli attacchi di controllo del tubo del liquido e le valvole di arresto del tubo del gas tramite manicotti di carica.

Eseguire la prova di tenuta d'aria.

Non aprire le valvole di arresto delle tubature del gas.

Applicare una pressione di gas azoto di 4,15MPa.

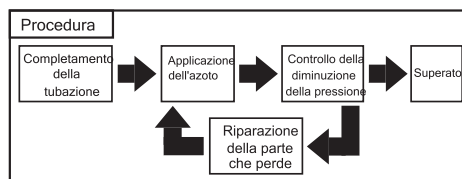
Mediante un rilevatore di perdite di gas o un agente schiumogeno verificare la presenza di perdite di gas alle connessioni dei raccordi svasati o delle parti brasate. È OK quando la pressione del gas non diminuisce.

Dopo il test di tenuta d'aria, rilasciare il gas azoto.

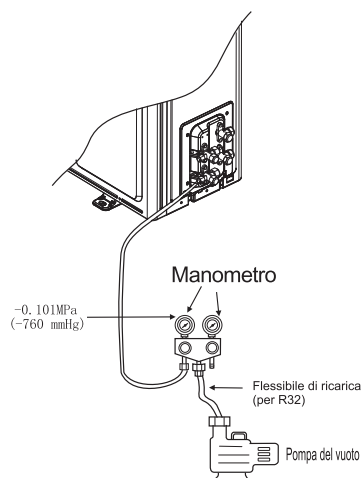
## 6. Pompaggio del vuoto e carica di refrigerante

### ● Pompaggio del vuoto

- (1) Rimuovere il tappo dell'attacco di servizio della valvola di arresto sul lato del tubo del gas dell'unità esterna.
- (2) Collegare il manometro e la pompa del vuoto all'attacco di servizio della valvola di arresto sul lato del tubo del gas dell'unità esterna.
- (3) Far partire la pompa del vuoto. (Lasciarla in funzione per almeno 15 minuti.)
- (4) Controllare il vuoto con la valvola del manometro, quindi chiudere la valvola del manometro e fermare la pompa del vuoto.
- (5) Lasciarla come è per un paio di minuti. Assicurarsi che l'indicatore del manometro resti nella stessa posizione. Verificare che il manometro indichi  $-0,101\text{MPa}$  (o  $-760\text{mmHg}$ ).
- (6) Rimuovere rapidamente il manometro dall'attacco di servizio della valvola di arresto.
- (7) Dopo aver collegato e evacuato i tubi del refrigerante, aprire completamente tutte le valvole di arresto su entrambi i lati del tubo del gas e del tubo del liquido.
- (8) Aprire la valvola di regolazione per aggiungere refrigerante (deve essere refrigerante liquido).
- (9) Stringere il tappo dell'attacco di servizio.
- (10) Stringere nuovamente il tappo.
- (11) Per controllare i raccordi svasati e la brasatura utilizzare schiuma per il rilevamento delle perdite con rilevatore perdite alogeno Carolina Department. Utilizzare schiuma che non generi ammoniacca ( $\text{NH}_3$ ) nella reazione.



Procedura di tenuta dell'aria



- (1) Per i modelli 35~105, ogni tubazione deve essere evacuata singolarmente. Per il modello 125, è necessario aspirare solo la valvola di arresto principale.
- (2) Un eccesso o carenza di refrigerante è la principale causa di problemi alle unità. Caricare la corretta quantità di refrigerante secondo la descrizione dell'etichetta all'interno del manuale.
- (3) Verificare la presenza di perdite di refrigerante in dettaglio. Se si verifica una grossa perdita di refrigerante, questa causerà difficoltà respiratorie o verrebbero prodotti gas nocivi se nel locale è acceso un fuoco.

### ● Carica di refrigerante aggiuntiva

L'unità è stata riempita con il refrigerante.

Fare riferimento a "Requisiti delle tubazioni" per calcolare una carica aggiuntiva.

Dopo che la procedura di pompa del vuoto è stata completata, per prima cosa eliminare l'aria dal flessibile di carica, quindi aprire le valvole, caricare il refrigerante come tipo "liquido" attraverso la valvola di arresto del liquido.

Al termine, chiudere le valvole e registrare la quantità di refrigerante caricata.

# Istruzioni di installazione

## Cablaggio



ATTENZIONE

- SPEGNERE l'interruttore di alimentazione principale dell'unità interna e dell'unità esterna e attendere almeno 3 minuti prima di eseguire le operazioni di cablaggio elettrico o del controllo periodico.
- Verificare che entrambe le ventole interne ed esterne siano ferme prima di eseguire operazioni di cablaggio elettrico o controlli periodici.
- Proteggere cavi, parti elettriche, ecc da roditori o altri piccoli animali, se non protette, i roditori possono rosicchiare parti non protette e, nel peggiore dei casi, causare un incendio.
- Evitare che i cavi siano a contatto con le tubazioni del refrigerante, con i bordi dei pannelli e con parti elettriche all'interno dell'unità. In caso contrario i cavi potrebbero danneggiarsi e, nel peggiore dei casi, causare un incendio.
- Installare un interruttore differenziale (ELB) sulla rete di alimentazione.  
Il mancato impiego di un interruttore differenziale potrebbe provocare folgorazioni o persino incendi.
- Questa unità utilizza un inverter, il che richiede l'utilizzo di un rilevatore di perdite a terra in grado di gestire le armoniche per evitare malfunzionamenti dello stesso rilevatore di perdite a terra.
- Non utilizzare cavi di collegamento intermedi, cavi a trefoli (vedi <Precauzioni nel Collegamento del cablaggio di alimentazione>), prolunghe o cavi di collegamento di controllo, poiché l'uso di questi cavi può causare febbre, folgorazioni o incendi.
- La coppia di serraggio di ogni vite è la seguente:
  - M4: 1.0 to 1.3 N·m
  - M5: 2.0 to 2.5 N·m
  - M6: 4.0 to 5.0 N·m
  - M8: 9.0 to 11.0 N·m
  - M10: 18.0 to 23.0 N·mPer le operazioni di cablaggio utilizzare questi valori di serraggio.



ATTENZIONE

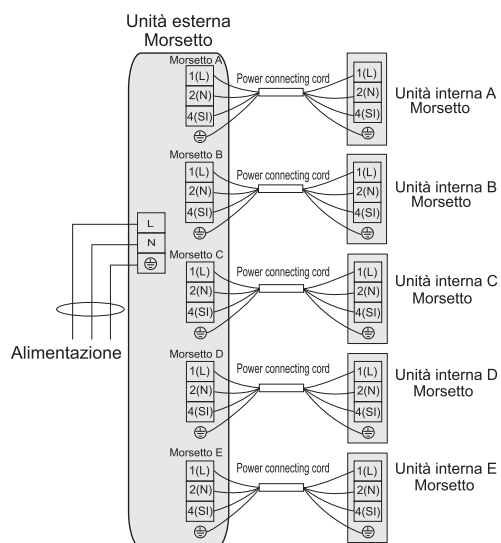
- Avvolgere materiale adesivo lungo i cavi, sigillandone gli intersizi, per evitare formazione di condensa e insetti.
  - All'interno dell'unità fissare strettamente il cablaggio di alimentazione utilizzando fascette per cavi.
- Nota: Fissare i manicotti di gomma con adesivo quando i tubi di collegamento all'unità esterna non sono utilizzati.

### Controllo generale

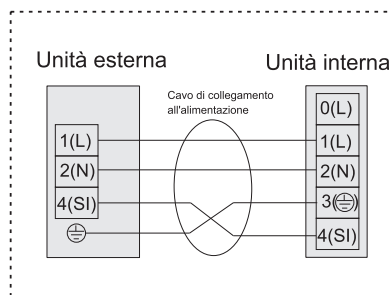
- (1) Assicurarsi che i componenti elettrici scelti (interruttori d'alimentazione, fusibili, cavi, raccordi e morsetti) siano stati adeguatamente selezionati secondo le specifiche elettriche.  
Assicurarsi che i componenti siano conformi alle normative elettriche.
  - (2) Verificare che la tensione di alimentazione sia entro + 10% della tensione nominale e che i cavi di alimentazione includano il filo di terra. In caso contrario, si possono danneggiare parti elettriche.
  - (3) Verificare che la capacità della corrente sia sufficiente.  
In caso contrario, il compressore non sarà in grado di operare causa dell'anormale caduta di tensione all'avviamento.
  - (4) Verificare che il cavo di terra sia collegato.
  - (5) Installare un interruttore principale, multipolare, con uno spazio di 3,5 mm o più, un interruttore principale monofase con uno spazio di 3,0 mm o più tra ciascuna fase. Per il prodotto trifase utilizzare lo speciale interruttore di alimentazione 3-fase.
  - (6) Verificare che la resistenza elettrica sia superiore a 1 megaohm, misurando la resistenza tra la messa a terra ed il terminale dei componenti elettrici.
- In caso contrario, non utilizzare il sistema prima di aver individuato e riparato la dispersione elettrica.

# Istruzioni di installazione

## Schema del cablaggio elettrico



NOTA:  
Per alcune unità interne



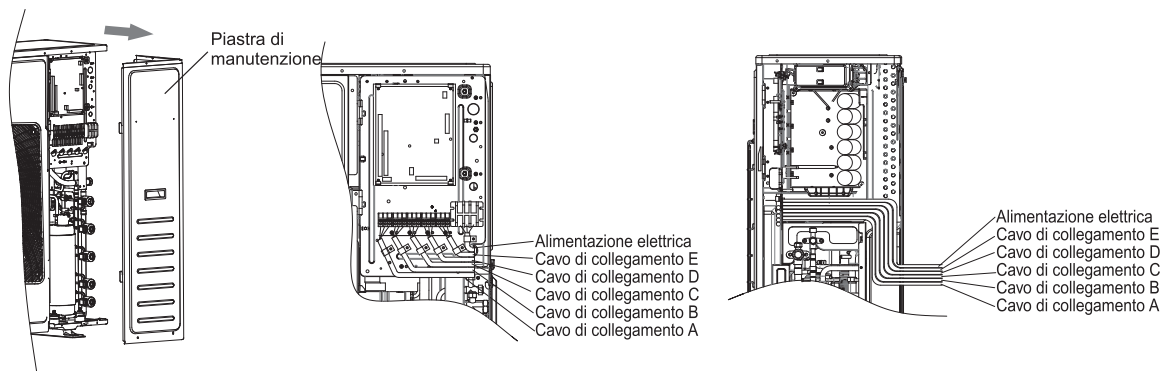
NOTA:

1. Per i modelli da fino a 2 unità interne, non sono previste le unità interne C, D e E.
2. Per i modelli da fino a 3 unità interne, non è prevista l'unità D e E.
3. Per i modelli da fino a 4 unità interne, non è prevista l'unità E.

## Passaggi del collegamento dei cavi:

Prendere ad esempio il modello 125

- (1) Svitare le viti sulla piastra di manutenzione e rimuoverla come indicato dalla freccia.
- (2) Fissare il cavo di alimentazione e il cavo di collegamento attraverso il foro del conduttore.
- (3) Collegare il cavo di alimentazione e il cavo di collegamento al terminale.
- (4) Fissare il cavo di alimentazione e il cavo di collegamento con il serracavo.
- (5) Riposizionare la piastra di manutenzione dopo il completamento del lavoro.



# Istruzioni di installazione

## Dati elettrici

Serie	Modello	Alimentazione	ELB		Dimensione del cavo di alimentazione	Dimensione del cavo di trasmissione	Interruttore automatico(A)
			Corrente nominale (A)	Sensibilità corrente nominale (mA)	EN60335-1	EN60335-1	
Fino a 2 unità interne	35/42/50	220-240V ~, 50Hz	25	30	3×1.5mm <sup>2</sup>	4×1.5mm <sup>2</sup>	25
Fino a 3 unità interne	42/52/62/72	220-240V ~, 50Hz	32	30	3×2.5mm <sup>2</sup>	4×1.5mm <sup>2</sup>	32
Fino a 4 unità interne	81/105	220-240V ~, 50Hz	32	30	3×2.5mm <sup>2</sup>	4×1.5mm <sup>2</sup>	32
Fino a 5 unità interne	125	220-240V ~, 50Hz	63	30	3×6.0mm <sup>2</sup>	4×1.5mm <sup>2</sup>	63

Corrente max. di funzionamento (A FA RIFERIMENTO): ALLA TARGHETTA

Nota:

- (1) Attenersi alle normative locali per la scelta dei cavi, quanto sopra riportato sono le dimensioni minime dei cavi.
- (2) Utilizzare cavi che non siano più leggeri dei normali cavi flessibili con guaina in policloroprene. (Designazione cavo H07RN-F).
- (3) Le dimensioni dei cavi contrassegnati con \*1 nella precedente tabella vanno scelti alla corrente massima dell'unità in conformità alla norma europea EN60335-1.
- (4) Installare separatamente un interruttore principale e uno differenziale per ciascun sistema. Selezionare un interruttore differenziale a elevata risposta che agisca entro 0.1 secondi.

Capacità raccomandata vedi la capacità di interruzione dell'unità esterna.

Nel caso in cui i cavi di alimentazione siano collegati in serie, aggiungere la corrente massima di ciascuna unità e selezionare i cavi sottostanti.

### Selezione conforme a EN60335-1

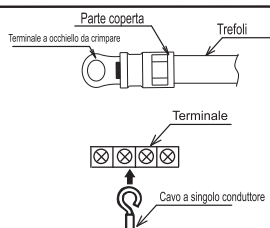
Corrente i(A)	Dimensioni conduttore(mm <sup>2</sup> )
$i \leq 6$	0.75
$6 < i \leq 10$	1
$10 < i \leq 16$	1.5
$16 < i \leq 25$	2.5
$25 < i \leq 32$	4
$32 < i \leq 40$	6
$40 < i \leq 63$	10
$63 < i$	*

\*Nel caso in cui la corrente superi i 63A non collegare, cavi in serie.

#### «Precauzioni nel Collegamento del cablaggio di alimentazione»

1. Quando si collega la morsetteria di alimentazione utilizzando cavo a trefoli, assicurarsi di utilizzare capicorda a occhiello. Infilare i terminali a occhiello da crimpare sul cavo fino alla parte coperta e fissarlo in posizione.

2. Per collegamenti alla morsetteria di cavi a singolo conduttore, eseguirne la polimerizzazione.



# Istruzioni di installazione

## Collaudo

Eseguire il collaudo dopo aver completato tutte le tubazioni del refrigerante, lo scarico, il cablaggio, ecc.



Il climatizzatore è provvisto di una resistenza di carter, controllare che l'interruttore sulla rete di alimentazione principale sia acceso da almeno 6 ore prima di accendere il preriscaldamento, altrimenti si potrebbe danneggiare il compressore!

Non utilizzare il sistema fino a quando tutti i controlli sono stati effettuati.

- ( A ) Verificare che le valvole di arresto dell'unità esterna siano completamente aperte.
- ( B ) Verificare che i cavi elettrici siano stati completamente collegati.
- ( C ) Verificare che la resistenza elettrica sia superiore a 2 megaohm, misurando la resistenza tra la messa a terra ed il terminale dei componenti elettrici. In caso contrario, non utilizzare il sistema prima di aver individuato e riparato la dispersione elettrica.

Identificazione della funzione di collaudo

Accendere l'apparecchio tramite il telecomando, quindi procedere al collaudo.

Prestare attenzione ai seguenti elementi mentre il sistema è in funzionamento.

- ( A ) Non toccare con le mani nessun componente sul lato del gas di scarico, dal momento che la camera del compressore e le tubazioni sul lato di scarico raggiungono temperature superiori a 90 °C.
- ( B ) **NON PREMERE IL PULSANTE DELL'INTERRUTTORE MAGNETICO (ES)** .Ciò causerebbe un grave incidente. Testare il corretto funzionamento dell'elettrodomestico.

- Spegnere l'alimentazione dopo aver completato il collaudo.

L'installazione dell'apparecchio è generalmente finita dopo aver completato le suddette operazioni. Se si riscontrano ancora problemi, per ulteriori informazioni contattare il centro di assistenza tecnica locale della nostra azienda.





#### Corretto smaltimento del prodotto

Questo simbolo indica che questo prodotto non deve essere smaltito con gli altri rifiuti domestici nel territorio dell'UE. Per prevenire danni all'ambiente o alla salute umana a causa di uno smaltimento non conforme, riciclarlo in modo responsabile per promuovere il sostenibile riutilizzo delle risorse rinnovabili. Per restituire il dispositivo usato, utilizzare i sistemi di restituzione e raccolta o contattare il rivenditore presso il quale è stato acquistato il prodotto. Essi possono ritirare questo prodotto per un riciclaggio ambientale sicuro.

Hisense (Shandong) Air-conditioning Co., Ltd.  
No.1 Hisense Road, Nancun, Pingdu, Qingdao, Shandong Province, P.R. China



# Hisense

## INSTRUCCIONES DE USO E INSTALACIÓN

ESPAÑOL

Model:

2AMW35U4RRA  
2AMW42U4RRA  
3AMW42U4RJA  
2AMW50U4RXA  
3AMW52U4RJA  
3AMW62U4RFA  
3AMW72U4RFA  
4AMW81U4RAA  
4AMW105U4RAA  
5AMW125U4RTA

Muchas gracias por comprar este aire acondicionado.

Lea detenidamente estas instrucciones de uso e instalación antes de instalar y utilizar el aparato y conservar el manual para futuras consultas.

# Instrucciones originales

## Contenido

<b>Precauciones de seguridad .....</b>	<b>1</b>
<b>Diagrama del flujo de refrigerante .....</b>	<b>9</b>
<b>Instrucciones de instalación .....</b>	<b>11</b>
Diagrama de instalación .....	11
Transporte y manipulación antes de la instalación .....	12
Seleccione la ubicación de instalación.....	12
Instalación del codo de drenaje y la manguera de drenaje.....	12
Instalación exterior .....	13
Tuberías de refrigerante .....	13
Cableado .....	17
Funcionamiento de prueba .....	20

# Precauciones de seguridad

1. Este aire acondicionado usa refrigerante nuevo HFC (R32).
  2. Debido a que la presión de funcionamiento máx. es de 4,3/4,15 MPa (R22:3,1 MPa), algunas tuberías y herramientas de instalación y mantenimiento son especiales.
  3. Este aire acondicionado utiliza una alimentación eléctrica de 220-240 V, 50 Hz.
- Lea detenidamente estas PRECAUCIONES DE SEGURIDAD para garantizar una instalación correcta.

- Asegúrese de utilizar un circuito eléctrico dedicado y no ponga otras cargas en la alimentación eléctrica.
  - Asegúrese de leer detenidamente estas PRECAUCIONES DE SEGURIDAD antes de instalarlo.
  - Asegúrese de seguir las PRECAUCIONES DE SEGURIDAD del manual de instalación, ya que contiene información de seguridad importante. A continuación se describen las definiciones para identificar los niveles de riesgo con sus símbolos de seguridad respectivos.
- ⚠ ADVERTENCIA: Riesgos o prácticas no seguras que PODRÍAN resultar en lesiones personales graves o muerte.
- ⚠ PRECAUCIÓN: Riesgos o prácticas no seguras que PODRÍAN resultar en lesiones personales menores o daños.
- Guarde cuidadosamente el manual de la unidad interior y de la exterior para consultas futuras.



- La instalación debe ser realizada por profesionales, no por el cliente.  
Una instalación incompleta podría causar daños por incendio, descarga eléctrica, caída o fuga de agua. Consulte con su distribuidor o técnico de instalación profesional.
- Instale el aire acondicionado sobre una base sólida que pueda soportar el peso de la unidad.  
Una base inadecuada o una instalación incompleta podrían causar lesiones si la unidad cayera de la base.
- Utilice el tipo de cable especificado para realizar de forma segura las conexiones eléctricas entre las unidades interior y exterior.  
Conéctelo firmemente a la parte de conexión de los terminales, de forma que no se aplique estrés sobre estas partes.  
Una conexión incompleta podría provocar un incendio.
- Para realizar el cableado, utilice un cable lo bastante largo para cubrir toda la separación sin realizar empalmes.  
No conecte varios dispositivos a la misma fuente de alimentación.  
De lo contrario, podría tener un mal contacto, un aislamiento deficiente, exceder la corriente permitida y provocar un incendio o una descarga eléctrica.
- Una vez completada la instalación, compruébela para asegurarse de que no haya fugas de refrigerante.  
Si el gas refrigerante se filtrara al interior y la llama del calentador o estufa entrara en contacto con él, generaría sustancias nocivas.
- Realice la instalación de forma segura consultando el manual de instalación.  
Una instalación incompleta podría causar lesiones personales debidas a incendio, descarga eléctrica, una caída de la unidad o filtración de agua.
- Utilice una línea dedicada para el trabajo eléctrico en conformidad con las instrucciones de instalación.
- Si la capacidad del circuito eléctrico o el cableado eléctrico no se han llevado a cabo, podría causar un incendio o una descarga eléctrica.
- Coloque de forma segura la tapa eléctrica de la unidad interior y el panel de servicio en la unidad exterior.
- Si las tapas eléctricas de la unidad interior o el panel de servicio de la unidad exterior no están colocadas de forma segura, podría provocar un incendio o una descarga eléctrica debido al polvo, agua, etc.
- Asegúrese de interrumpir la alimentación eléctrica antes de realizar la instalación del circuito electrónico interior o del cableado.  
De lo contrario, causará una descarga eléctrica.
- El dispositivo debe cumplir las estipulaciones del estado relativas al cableado de la instalación.
- La ubicación de instalación de la máquina exterior debe tener en cuenta la protección y evitar que las personas o animales pequeños entren en contacto con los componentes eléctricos. Mantenga la unidad exterior limpia.
- Al instalar o reubicar la unidad, asegúrese de que ninguna sustancia distinta al refrigerante especificado (R32) entre en el circuito del refrigerante.  
La presencia de sustancias foráneas, como aire, puede causar un aumento anormal de la presión o una explosión.

# Precauciones de seguridad



- Realice la toma de tierra  
No conecte el cable de toma de tierra a una tubería de gas, una tubería de agua, un pararrayos o a un cable de toma de tierra telefónico.  
Una toma de tierra defectuosa podría causar una descarga eléctrica.
- No instale la unidad en un lugar donde haya fugas de gases inflamables.  
Si hay una fuga de gas y se acumula en la zona adyacente a la unidad, podría causar una explosión.
- Apriete una tuerca cónica con una llave de torsión como se especifica en este manual.  
Si se aprieta demasiado, la tuerca cónica podría romperse tras un largo periodo de tiempo y causar una fuga de refrigerante.
- Instale un disruptor de fugas de tierra según el lugar de instalación (que sea húmedo).  
Si no hay instalado un disruptor de fugas de tierra, podría causar una descarga eléctrica.
- Realice los trabajos de drenaje/tuberías de forma segura en conformidad con el manual de instalación.
- Si existiera un defecto en los trabajos de drenaje/tuberías, podría caer agua de la unidad y los enseres domésticos podrían mojarse y resultar dañados.

## Instrucciones de seguridad

- No deje que entre aire en el sistema de refrigeración o descargue el refrigerante cuando traslade el climatizador.
- Las instrucciones de instalación para aparatos diseñados para estar conectados permanentemente a cables fijos y con una corriente residual que pueda exceder los 10 mA, deben indicar la recomendación de instalar un dispositivo de corriente residual (RCD) con una corriente residual operativa nominal no superior a 30 mA.
- Este aparato puede ser utilizado por niños mayores de 8 años y por personas con capacidades físicas, sensoriales o mentales reducidas o falta de experiencia y conocimientos si están supervisados o han recibido instrucciones relativas al uso del aparato de forma segura y si comprender los riesgos asociados. Los niños no deben jugar con el aparato. La limpieza y el mantenimiento no deben realizarlos niños sin supervisión.
- Si el cable de alimentación está dañado, debe sustituirlo el fabricante, su agente de mantenimiento o personas cualificadas similares para evitar riesgos.
- El aparato debe instalarse de acuerdo con la normativa nacional de cableado.
- El mantenimiento debe realizarse únicamente según las recomendaciones del fabricante del equipo.
- Los trabajos de mantenimiento y reparación que requieran asistencia de otro personal cualificado se deben realizar bajo la supervisión de una persona competente en el uso de refrigerantes inflamables.
- Se deben incorporar medios de desconexión, como un interruptor, que puedan desconectar completamente todos los polos a los cables fijos en conformidad con las normas de cableado. Es necesario para poder desconectar el aparato de la alimentación después de la instalación. Asegúrese de que el aparato esté desconectado de la alimentación durante las revisiones y el mantenimiento. Se debe incluir una desconexión con un sistema de bloqueo en la posición aislada.
- En las partes siguientes se detalla el método de conexión del aparato a la alimentación eléctrica y la interconexión de los componentes individuales, y el diagrama de cableado con indicaciones claras de las conexiones, el cableado a los dispositivos externos y el cable de alimentación.
- Se debe usar el cable de tipo H05RN-F o un tipo eléctricamente equivalente para la conexión eléctrica y la interconexión entre la unidad exterior y la unidad interior. A continuación se detalla el tamaño del cable.
- A continuación se detallan el tipo y calificación de los fusibles, o la calificación de los interruptores/ELB.
- A continuación se detalla la información de las dimensiones de espacio necesario para la correcta instalación del aparato incluyendo las distancias mínimas permitidas a las estructuras adyacentes.
- Este aparato ha sido diseñado para ser usado por usuarios expertos o formados en tiendas, en industria ligera o granjas, o para uso comercial.

# Precauciones de seguridad

## Precauciones para usar el refrigerante R32

Los procedimientos de trabajo básico de instalación son los mismos que con refrigerante convencional (R22 o R410A).

Sin embargo, preste atención a los puntos siguientes:

### ADVERTENCIA

1. Transporte de equipo que contenga refrigerantes inflamables.  
Llama la atención el hecho de que pueden existir regulaciones de transporte adicionales con respecto a los equipos con contenido de gases inflamables. El número máximo de piezas de equipo o la configuración de equipos permitidos para transportar juntos estará determinado por las regulaciones de transporte vigentes.
2. Marcas de equipo usando señalización.  
Las regulaciones locales habitualmente explican las señales de aparatos similares (que contienen refrigerantes inflamables) utilizadas en el área de trabajo e indican los requisitos mínimos para proporcionar los signos de seguridad y/o salud de una ubicación de trabajo. Se deben mantener todas las señales requeridas y los empleadores deben garantizar que los empleados reciban instrucciones adecuadas y suficientes y formación acerca del significado de las señales y acciones correspondientes que se deben tomar en relación con dichas señales. La efectividad de las señales no debe verse disminuida por la acumulación de señales colocadas juntas. Los pictogramas utilizados deben ser lo más sencillos posibles y contener solo la información fundamental.
3. Eliminación de equipo que use refrigerantes inflamables.  
Cumplimiento de las regulaciones nacionales.
4. Almacenamiento de equipo/aparatos.  
El almacenamiento de equipo debe realizarse en cumplimiento de las instrucciones del fabricante.
5. Almacenamiento del equipo embalado (no vendido).
  - La protección del embalaje de almacenamiento se debe construir de forma que los daños mecánicos al equipo de su interior del embalaje no causen filtraciones de la carga de refrigerante.
  - El número máximo de piezas de equipo permitidas para que se almacenen juntas estará determinado por las regulaciones locales.
6. Información sobre el mantenimiento
  - 6-1 Comprobaciones de la zona  
Antes de empezar el trabajo en sistemas que contienen refrigerantes inflamables, son necesarias las comprobaciones de seguridad para garantizar que el riesgo de ignición esté minimizado. Para realizar reparaciones en el sistema de refrigeración, se deben respetar las siguientes precauciones antes de trabajar en el sistema.
  - 6-2 Procedimiento de trabajo  
El trabajo debe realizarse bajo un procedimiento controlado para minimizar el riesgo de que haya presentes gases o vapores inflamables mientras se realiza el trabajo.
  - 6-3 Zona de trabajo general
    - Todo el personal de mantenimiento y de otros departamentos que trabajan en la zona local debe estar instruido sobre la naturaleza del trabajo a realizar. Se debe evitar trabajar en espacios confinados.
    - La zona alrededor del área de trabajo debe estar aislada. Asegúrese de que las condiciones del interior de la zona sean seguras controlando el material inflamable.
  - 6-4 Comprobar la presencia de refrigerante
    - Se debe comprobar la zona con un detector de refrigerante adecuado antes y durante el trabajo para garantizar que el técnico conozca la presencia de atmósferas potencialmente inflamables.
    - Asegúrese de que el equipo de detección de fugas utilizado sea adecuado para refrigerantes inflamables, es decir, que no produzca chispas, esté sellado adecuadamente o sea seguro intrínsecamente.
  - 6-5 Presencia de un extintor de incendios
    - Si se deben realizar trabajos en caliente con el equipo de refrigeración o alguna pieza asociada, el equipo de extinción de incendios adecuado debe estar accesible.
    - Tenga un extintor de incendios de polvo seco o de CO<sub>2</sub> adyacente a la zona de carga.
  - 6-6 Ausencia de fuentes de ignición
    - Ninguna persona que realice trabajos relacionados con un sistema de refrigeración que implique exponer tuberías que contienen o hayan contenido refrigerantes inflamables deberá usar fuentes de ignición de manera que pueda generar un riesgo de incendio o explosión.
    - Todas las fuentes de ignición, entre ellas cigarrillos, deben mantenerse lo suficientemente alejadas del sitio del trabajo de instalación, reparación, retirada o eliminación, durante el que pudiera liberarse refrigerante inflamable al espacio adyacente.
    - Antes de que tenga lugar el trabajo, se debe inspeccionar la zona alrededor del equipo para asegurarse de que no existan peligros inflamables ni riesgos de ignición. Debe haber presentes señales de "No fumar".
  - 6-7 Zona ventilada
    - Asegúrese de que la zona esté abierta o ventilada adecuadamente antes de acceder al sistema o realizar trabajos en caliente.
    - Se debe mantener la ventilación durante el periodo en que se lleve a cabo el trabajo.
    - La ventilación debe dispersar de forma segura los refrigerantes liberados y, preferiblemente, expulsar a la atmósfera exterior.
  - 6-8 Comprobaciones del equipo de refrigeración
    - Cuando se estén cargando componentes eléctricos, deben ser adecuados para su finalidad y según la especificación correcta.
    - Se deben seguir en todo momento las pautas de mantenimiento y servicio del fabricante. Si tiene dudas, consulte con el departamento técnico del fabricante.

## PRECAUCIÓN

- Se deben realizar las siguientes comprobaciones de las instalaciones que usen refrigerantes inflamables:
    - El tamaño de la carga deberá conformarse al tamaño de la sala donde estén instaladas las piezas que contengan refrigerante.
    - La maquinaria y las salidas de ventilación deben operarse adecuadamente y no estar obstruidas.
    - Si se utiliza un circuito de refrigeración indirecta, se debe comprobar la presencia de refrigerante en el circuito secundario.
    - Las marcas del equipo siguen siendo visibles y legibles. Las marcas y señalización que sean ilegibles serán corregidas.
    - El tipo de refrigeración o los componentes están instalados en una posición en la que es improbable que se vean expuestos a sustancias que puedan corroer los componentes que contienen refrigerante, excepto si los componentes están contruidos con materiales que sean inherentemente resistentes a la corrosión o estén protegidos adecuadamente contra la corrosión.
- 6-9 Comprobaciones de los dispositivos eléctricos
- La reparación y el mantenimiento de los componentes eléctricos deben incluir las comprobaciones iniciales de seguridad y los procedimientos de inspección de los componentes.
  - Si existiera algún fallo que pudiera comprometer la seguridad, no se debe conectar la alimentación eléctrica al circuito hasta que se gestione de forma satisfactoria.
  - Si no se puede corregir inmediatamente el fallo pero es necesario continuar con la operación, se deberá usar una solución temporal adecuada.
  - Se deberá informar al propietario del equipo para que todas las partes lo conozcan.
  - Las comprobaciones iniciales de seguridad incluyen:
    - Que los condensadores estén descargados: se debe realizar de manera segura para evitar la posibilidad de creación de chispas.
    - Que no haya componentes eléctricos con carga eléctrica ni cables expuestos durante la carga, recuperación o purga del sistema.
    - Que se mantenga la conexión a tierra.
7. Reparación de los componentes sellados
- Durante la reparación de los componentes sellados, se debe desconectar toda alimentación eléctrica desde el equipo sobre el que se trabaja antes de retirar las tapas selladas, etc.
  - Si es absolutamente necesario tener alimentación eléctrica al equipo durante el mantenimiento, se debe disponer permanentemente de una forma de detección de fugas en el punto más crítico para advertir de una situación potencialmente peligrosa.
  - Se debe prestar especial atención a los siguientes factores para garantizar que, al trabajar en los componentes eléctricos, la carcasa no sea alterada de forma que el nivel de protección se vea afectado.
  - Esto incluye daños a los cables, un número excesivo de conexiones, terminales no realizados según la especificación original, daños en las juntas, instalación incorrecta, etc.
  - Asegúrese de que el aparato esté montado de forma segura.
  - Asegúrese de que los sellos o los materiales sellantes no se hayan degradado de forma que ya no puedan evitar la entrada de atmósferas inflamables.
  - La sustitución de piezas debe realizarse en conformidad con las especificaciones del fabricante.  
NOTA: El uso de selladores de silicona podría inhibir la eficacia de algunos tipos de equipos de detección de fugas.  
Los componentes intrínsecamente seguros no necesitan estar aislados antes de trabajar con ellos.
8. Reparación de componentes intrínsecamente seguros
- No aplique cargas de capacitancia o inductivas permanentes al circuito sin asegurarse de que no exceda la tensión y la corriente permitidas para el equipo en uso.
  - En presencia de atmósferas inflamables solo se puede trabajar con componentes intrínsecamente seguros. El aparato de prueba debe tener la calificación correcta.
  - Utilice solo piezas especificadas por el fabricante para sustituir los componentes.
  - Otras piezas podrían provocar la ignición del refrigerante que se haya filtrado a la atmósfera.
9. Cableado
- Compruebe que el cableado no esté sujeto a desgaste, corrosión, presión excesiva, vibraciones, bordes afilados u otros efectos adversos del entorno.
  - La comprobación también debe tener en cuenta los efectos del envejecimiento o la vibración continua de fuentes como los compresores o los ventiladores.

## PRECAUCIÓN

### 10. Detección de refrigerantes inflamables

- Bajo ninguna circunstancia deben usarse fuentes potenciales de ignición para buscar o detectar fugas de refrigerante.
- No se deben usar linternas de halógenos (ni otros detectores que usen llamas vivas).

### 11. Métodos de detección de fugas

- Los siguientes métodos de detección de fugas son considerados aceptables para sistemas que contengan refrigerantes inflamables:
- Se deben usar detectores electrónicos de fugas para detectar refrigerantes inflamables, pero la sensibilidad podría no ser adecuada o podría ser necesario recalibrarlos (el equipo de detección debe calibrarse en una zona sin refrigerante).
  - Asegúrese de que el detector no sea una fuente potencial de ignición y que sea adecuado para el refrigerante usado.
  - El equipo de detección de fuga se establecerá en un porcentaje del LFL del refrigerante y se calibrará para el refrigerante empleado y se confirmará el porcentaje de gas (máximo 25%) adecuado.
  - Los líquidos de detección de fugas son adecuados para usar con la mayoría de refrigerantes, pero se debe evitar usar detergentes que contengan cloro, ya que podría reaccionar con el refrigerante y corroer las tuberías de cobre.
  - Si se sospecha que hay fugas, se debe retirar/extinguir todas las llamas vivas.
  - Si se encuentra una fuga de refrigerante que requiera soldadura, se debe recuperar todo el refrigerante del sistema o aislarlo (mediante válvulas de cierre) en una parte del sistema alejada de la fuga.
  - Después se debe purgar el nitrógeno sin oxígeno del sistema antes y durante el proceso de soldadura.

### 12. Retirada y evacuación

- Al acceder al circuito de refrigerante para realizar las reparaciones, o con otros fines, se deben utilizar los procedimientos convencionales.
- Sin embargo, es importante seguir las buenas prácticas ya que la inflamabilidad es una consideración.
- Se debe respetar el siguiente procedimiento:
  - Retirar el refrigerante.
  - Purgar el circuito con gas inerte.
  - Evacuar.
  - Purgar otra vez con gas inerte.
  - Abrir el circuito con cortes o soldaduras.
- Se debe recuperar la carga de refrigerante con los cilindros de recuperación correctos.
- Se debe "purgar" el sistema con nitrógeno sin oxígeno para que la unidad sea segura.
- Es posible que sea necesario repetir este proceso varias veces.
- No se debe usar aire comprimido ni oxígeno para realizar esta tarea.
- La purga debe realizarse rompiendo el vacío del sistema con nitrógeno sin oxígeno y llenándolo hasta alcanzar la presión de trabajo, después ventilándolo a la atmósfera y, por último, aplicando un vacío.
- Este proceso debe repetirse hasta que no quede refrigerante en el sistema. Cuando se use una carga de nitrógeno sin oxígeno, se debe ventilar el sistema con una presión atmosférica para permitir que tenga efecto.
- Esta operación es absolutamente fundamental si se requieren soldaduras en las tuberías.
- Asegúrese de que la salida de la bomba de vacío no esté cerca de fuentes de ignición y que se disponga de ventilación.

### 13. Procedimientos de carga

- Además de los procedimientos de carga convencionales, se debe cumplir los siguientes requisitos:
  - Garantizar que no haya contaminación de diferentes refrigerantes al usar el equipo de carga.
  - Las mangueras o tuberías deben ser lo más cortas posibles para minimizar la cantidad de refrigerante contenido en ellas.
  - Los cilindros deben permanecer en posición vertical.
  - Garantizar que el sistema de refrigeración esté conectado a tierra antes de cargar el sistema con refrigerante.
  - Etiquetar el sistema cuando la carga esté completa (si no lo está ya).
  - Se debe tener mucho cuidado para no sobrecargar el sistema de refrigeración.
  - Antes de recargar el sistema, se debe probar la presión con nitrógeno sin oxígeno.
- Se debe comprobar si hay fugas en el sistema al finalizar la carga pero antes de ponerlo en marcha.
- Se debe realizar una segunda prueba de fugas antes de abandonar el sitio.

### 14. Desmantelamiento

- Antes de llevar a cabo este procedimiento, es fundamental que el técnico esté completamente familiarizado con el equipo y todos sus detalles.  
Una buena práctica recomendada es recuperar de forma segura todos los refrigerantes.

## PRECAUCIÓN

Antes de llevar a cabo la tarea, se debe tomar una muestra de aceite y de refrigerante en caso de que sea necesario un análisis antes de reutilizar el refrigerante recuperado. Es fundamental disponer de alimentación eléctrica antes de comenzar la tarea.

a) Familiarícese con el equipo y su funcionamiento.

b) Aísle eléctricamente el sistema.

c) Antes de intentar el procedimiento, asegúrese de que:

- Haya disponibles equipos de manipulación mecánica, si fuera necesario, para manipular los cilindros de refrigerante.

- Todo el equipo de protección personal esté disponible y se utilice correctamente.

- El proceso de recuperación esté supervisado en todo momento por una persona competente.

- El equipo y los cilindros de recuperación sean conformes a la normativa pertinente.

d) Bombee el sistema del refrigerante, si fuera necesario.

e) Si no es posible realizar un vacío, utilice un distribuidor de forma que se pueda retirar el refrigerante desde varias partes del sistema.

f) Asegúrese de que el cilindro esté situado en las escalas antes de llevar a cabo la recuperación.

g) Inicie la máquina de recuperación y opérela siguiendo las instrucciones del fabricante.

h) No sobrecargue los cilindros (no más de un 80% de volumen de carga de líquido).

i) No exceda la presión de trabajo máxima del cilindro, ni siquiera temporalmente.

j) Cuando se hayan llenado correctamente los cilindros y se haya completado el proceso, asegúrese de retirar inmediatamente los cilindros y el equipo del sitio y que todas las válvulas de aislamiento estén cerradas.

k) No se debe cargar el refrigerante recuperado en otro sistema de refrigeración excepto si se ha limpiado y comprobado.

### 15. **Etiquetado**

Se debe etiquetar el equipo indicando que ha sido desmantelado y vaciado de refrigerante.

La etiqueta debe indicar la fecha y estar firmada.

Asegúrese de que haya etiquetas en el equipo indicando que contiene refrigerante inflamable.

### 16. **Recuperación**

- Al retirar refrigerante de un sistema, ya sea para realizar el mantenimiento o desmantelarlo, una buena práctica recomendada es retirar de forma segura todos los refrigerantes.

- Al transferir refrigerante a los cilindros, asegúrese de emplear únicamente cilindros de recuperación de refrigerante adecuados.

- Asegúrese de disponer del número correcto de cilindros para contener la carga total del sistema.

- Todos los cilindros a usar están designados para el refrigerante recuperado y etiquetados para ese refrigerante (es decir, cilindros especiales para recuperar refrigerante).

- Se completará los cilindros con una válvula de alivio de presión y válvulas de cierre relacionadas en buen funcionamiento.

- Los cilindros de recuperación vacíos se evacúan y, si es posible, enfrían antes de la recuperación.

- El equipo de recuperación debe estar en buen funcionamiento con un conjunto de instrucciones relativas al equipo disponible y debe ser adecuado para la recuperación de refrigerantes inflamables.

- Además, se debe disponer de un juego de básculas de pesaje calibradas y en buen funcionamiento.

- Las mangueras deben estar completadas con acoples de desconexión sin fugas y en buen funcionamiento.

- Antes de usar la máquina de recuperación, compruebe que funcione satisfactoriamente, haya sido mantenido adecuadamente y que los componentes eléctricos asociados estén sellados para evitar la ignición en caso de liberación del refrigerante.

- Si tiene dudas, consulte con el fabricante.

- El refrigerante recuperado debe ser devuelto al proveedor en el cilindro de recuperación correcto y con la nota de transferencia de residuos concertada.

- No mezcle refrigerantes en unidades de recuperación y, especialmente, en cilindros.

- Si fuera necesario retirar los compresores o los aceites compresores, asegúrese de que hayan sido evacuados a un nivel aceptable para garantizar que no quede refrigerante inflamable dentro del lubricante.

- Se debe llevar a cabo el proceso de evacuación antes de devolver el compresor a los proveedores.

- Solo se debe emplear calefacción eléctrica en el cuerpo del compresor para acelerar este proceso.

- El drenaje de aceite de un sistema debe realizarse de forma segura.



## ADVERTENCIA

### 17. Competencia del personal de servicio

Información y formación

El entrenamiento debe incluir la sustancia de los siguientes:

Información sobre el potencial de explosión de los refrigerantes inflamables para demostrar que los materiales inflamables pueden ser peligrosos cuando se maneja sin cuidado.

Información sobre potenciales fuentes de ignición, especialmente aquellos que no son evidentes, tales como encendedores, interruptores de luz, aspiradoras, calentadores eléctricos.

Información sobre el concepto de componentes sellados y recintos sellados según la norma IEC 60079-15: 2010.

Información sobre los procedimientos de trabajo adecuados:

#### a) Puesta en marcha

- Asegúrese de que el área de suelo sea suficiente para la carga de refrigerante o que el conducto de ventilación esté montado de una manera correcta.
- Conecte las tuberías y lleve a cabo una prueba de fugas antes de cargar con refrigerante.
- Compruebe el equipo de seguridad antes de la puesta en servicio.

#### b) Mantenimiento

- El equipo portátil podrá ser reparado fuera en un taller especialmente equipado para dar servicio a unidades con refrigerantes inflamables.
- Garantice suficiente ventilación en el lugar de reparación.
- Tenga en cuenta que el mal funcionamiento de los equipos puede ser causado por la pérdida de refrigerante y una fuga de refrigerante es posible.
- Descargue los condensadores en una manera que no cause ninguna chispa. El procedimiento estándar para un cortocircuito en los terminales del condensador suele crear chispas.
- Vuelva a montar recintos cerrados con precisión. Si los sellos están desgastados, reemplácelos.
- Compruebe el equipo de seguridad antes de la puesta en servicio.

#### c) Reparación

- El equipo portátil debe ser reparado fuera en un taller especialmente equipado para dar servicio a unidades con refrigerantes inflamables.
- Garantice suficiente ventilación en el lugar de reparación.
- Tenga en cuenta que el equipo puede ser causado por la pérdida de refrigerante y una fuga de refrigerante es posible.
- Descargue los condensadores en una manera que no cause ninguna chispa.
- Cuando se requiere soldadura fuerte, los siguientes procedimientos deben llevarse a cabo en el orden correcto.
  - Retirar el refrigerante. Si el refrigerante no es requerido por las regulaciones nacionales, drene el refrigerante al exterior. Tenga cuidado de que el refrigerante drenado no cause ningún peligro. En caso de duda, una persona debe vigilar la salida. Tenga especial cuidado de que el refrigerante drenado no flote de nuevo al edificio.
  - Evacúe el circuito de refrigerante.
  - Purgue el circuito de refrigerante con nitrógeno durante 5 min.
  - Evacúelo de nuevo (no requerido para refrigerantes A2L)
  - Retire las piezas para ser reemplazado por el corte, no por las llamas.
  - Purgue el punto de soldadura fuerte con nitrógeno durante el procedimiento de soldadura fuerte.
  - Lleve a cabo una prueba de fugas antes de cargar con refrigerante.
- Vuelva a montar recintos cerrados con precisión. Si los sellos están desgastados, reemplácelos.
- Compruebe el equipo de seguridad antes de la puesta en servicio.

#### d) Desmantelamiento

- Si se ve afectada la seguridad cuando el equipo está fuera de servicio, la carga de refrigerante debe retirarse antes de terminar la puesta en marcha.
- Garantice una ventilación suficiente en la ubicación de los equipos.
- Tenga en cuenta que el mal funcionamiento de los equipos puede ser causado por la pérdida de refrigerante y una fuga es posible.
- Descargue los condensadores en una manera que no cause ninguna chispa.
- Retire el refrigerante. Si la recuperación no es requerida por las regulaciones nacionales, drene el refrigerante al exterior. Tenga cuidado de que el refrigerante drenado no cause ningún peligro. En caso de duda, una persona debe vigilar la salida. Tome especial cuidado de que el refrigerante drenado no flote de nuevo al edificio.

#### e) Eliminación

- Garantice suficiente ventilación en el lugar de trabajo.
- Retire el refrigerante. Si la recuperación no es requerida por las regulaciones nacionales, drene el refrigerante al exterior. Tenga cuidado de que el refrigerante drenado no cause ningún peligro. En caso de duda, una persona debe vigilar la salida. Tenga especial cuidado de que el refrigerante drenado no flote de nuevo al edificio.
- Evacúe el circuito de refrigerante
- Purgue el circuito de refrigerante con nitrógeno durante 5min.
- Evacúelo de nuevo.
- Corte el compresor y drene el aceite.

# Precauciones de seguridad





## ⚠ ADVERTENCIA

- El aparato deberá ser instalado, operado y almacenado en una habitación con una superficie más grande que X (para X, véase el manual de instrucciones de la unidad interior).
- La instalación de tubería de trabajo debe mantenerse a una habitación con una superficie más grande que X (para X, véase el manual de instrucciones de la unidad interior).
- Las tuberías deben cumplir las regulaciones nacionales sobre gas.
- La cantidad máxima de carga de refrigerante es X kg (véase abajo para X).
- Al mover o reubicar el aire acondicionado, consulte a técnicos de mantenimiento expertos para desconectar y reinstalar la unidad.
- No coloque otros productos eléctricos o enseres domésticos bajo la unidad interior o la unidad exterior.
- Las gotas de condensación de la unidad podrían mojarlos y causar daños o un mal funcionamiento de la propiedad.
- No utilice medios para acelerar el proceso de descongelación o de limpieza que no sean los recomendados por el fabricante.
- Se debe almacenar el aparato en una sala sin fuentes de ignición en funcionamiento continuo (por ejemplo, llamas vivas, aparatos de gas o calentadores eléctricos en funcionamiento).
- No lo perfore ni queme.
- Tenga en cuenta que es posible que los refrigerantes no tengan olor.
- Mantenga las aperturas de ventilación libres de obstrucciones.
- Debe almacenar el aparato en una zona bien ventilada donde el tamaño de la sala corresponda al área de la sala especificada para la operación.
- Se debe almacenar el aparato en una sala sin llamas vivas (por ejemplo, aparatos de gas) ni fuentes de ignición (por ejemplos, calentadores eléctricos en funcionamiento).
- Todas las personas implicadas en el trabajo o el mantenimiento de un circuito refrigerante debe contar con un certificado válido y vigente de una autoridad de evaluación acreditada, que autorice su competencia para manipular refrigerantes de forma segura en conformidad con una especificación de evaluación reconocida por la industria.
- El mantenimiento debe realizarse únicamente según las recomendaciones del fabricante del equipo.
- Los trabajos de mantenimiento y reparación que requieran asistencia de otro personal cualificado se deben realizar bajo la supervisión de una persona competente en el uso de refrigerantes inflamables.
- El aparato deberá ser instalado y almacenado de modo que para evitar daños mecánicos que se produzcan.
- Los conectores mecánicos utilizados en interiores deben ser conformes a la norma ISO 14903. Cuando se reutilicen conectores mecánicos en interiores, se deben renovar las piezas de sellado. Cuando se reutilicen juntas ensanchadas en interiores, se deben reparar.
- La instalación de tuberías debe mantenerse al mínimo.
- Las conexiones mecánicas deben ser accesibles con fines de mantenimiento.

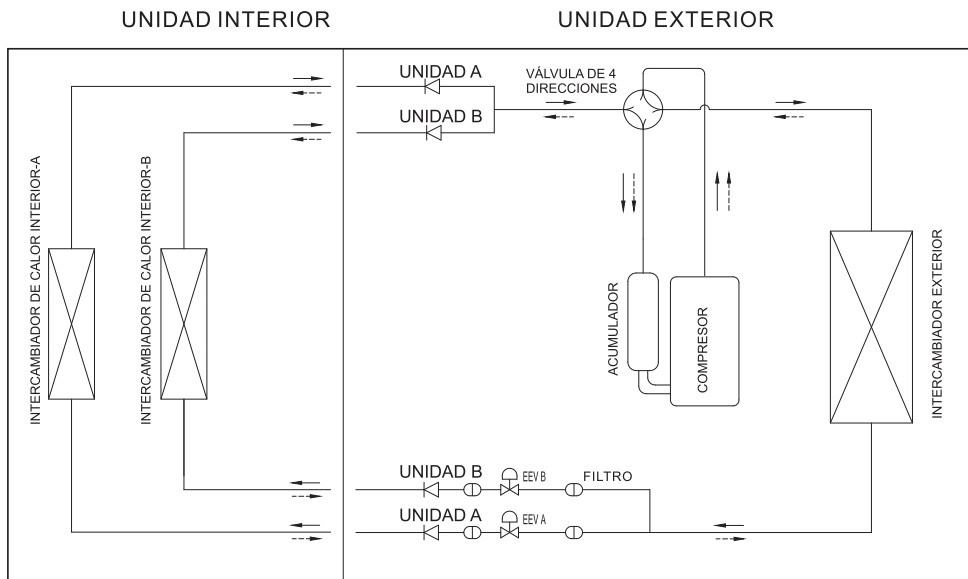
### Máxima Cantidad de Refrigerante Cargado (kg)

Serie	Hasta 2 unidades internas		Hasta 3 unidades internas				Hasta 4 unidades internas		Hasta 5 unidades internas
	Modelo	35/42	50	42	52	62	72	81	105
Máxima Carga de refrigerante (kg)	1.17	1.29	1.71	1.71	1.81	1.81	2.28	2.68	3.98

Explicación de los símbolos mostrados en la unidad interior o en la unidad exterior.

	<b>ADVERTENCIA</b>	Este símbolo muestra que este aparato utiliza un refrigerante inflamable. Si hay una fuga de refrigerante y queda expuesto a una fuente de ignición externa, existe el riesgo de incendio.
	<b>PRECAUCIÓN</b>	Este símbolo muestra que se debe leer detenidamente el manual de funcionamiento.
	<b>PRECAUCIÓN</b>	Este símbolo muestra que un técnico de mantenimiento debe manipular este equipo en referencia al manual de instalación.
	<b>PRECAUCIÓN</b>	Este símbolo muestra que hay información disponible, como el manual de funcionamiento o el manual de instalación.

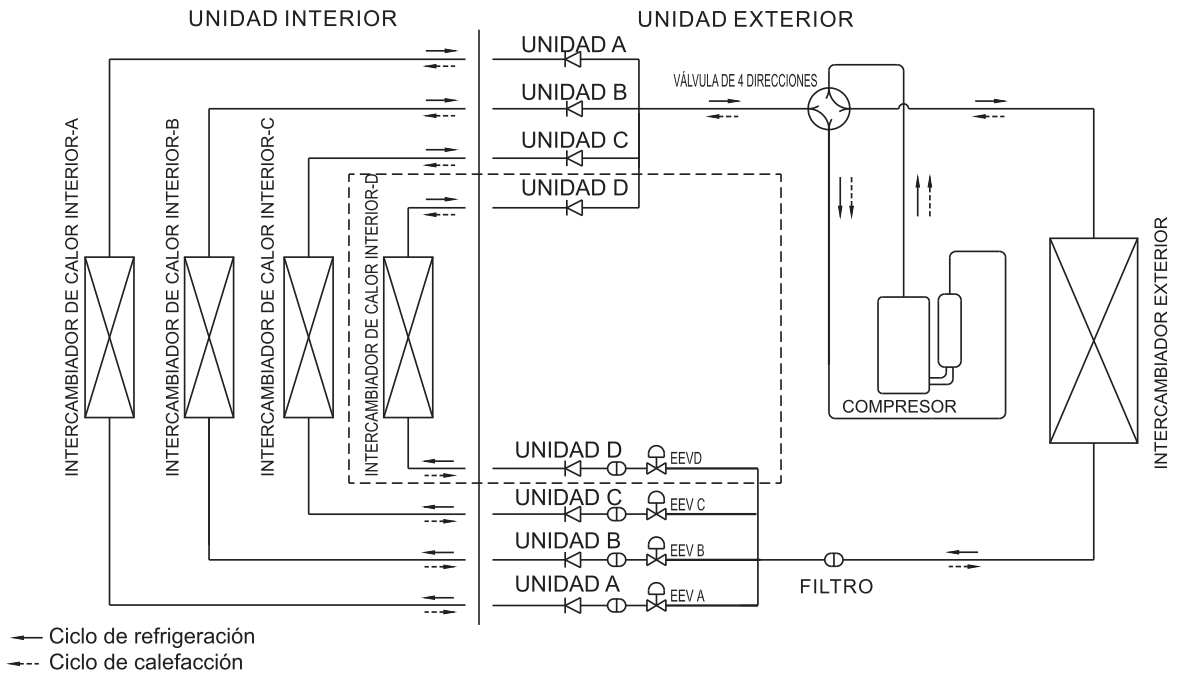
# Diagrama del flujo de refrigerante



← Ciclo de refrigeración

--- Ciclo de calefacción

Serie de hasta 2 unidades internas(35/42/50)



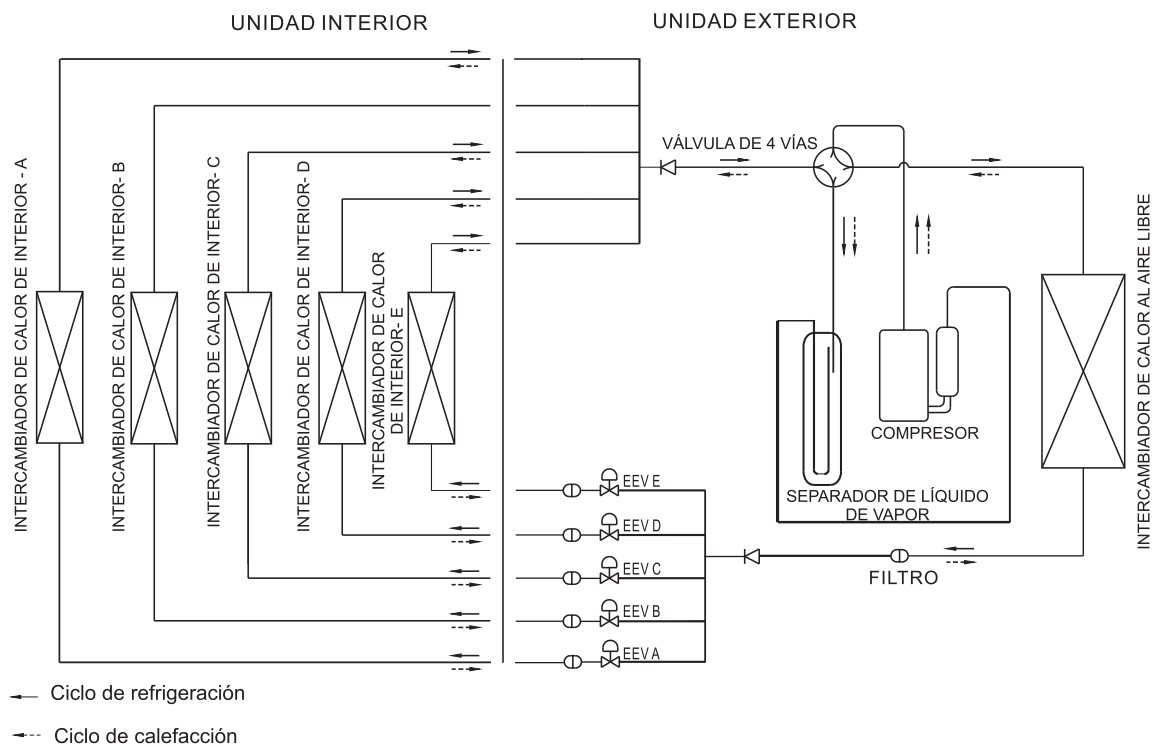
← Ciclo de refrigeración

--- Ciclo de calefacción

La UNIDAD D es solo para el modelo de 81/105.

Serie de hasta 3 y 4 unidades internas(42/52/62/72/81/105)

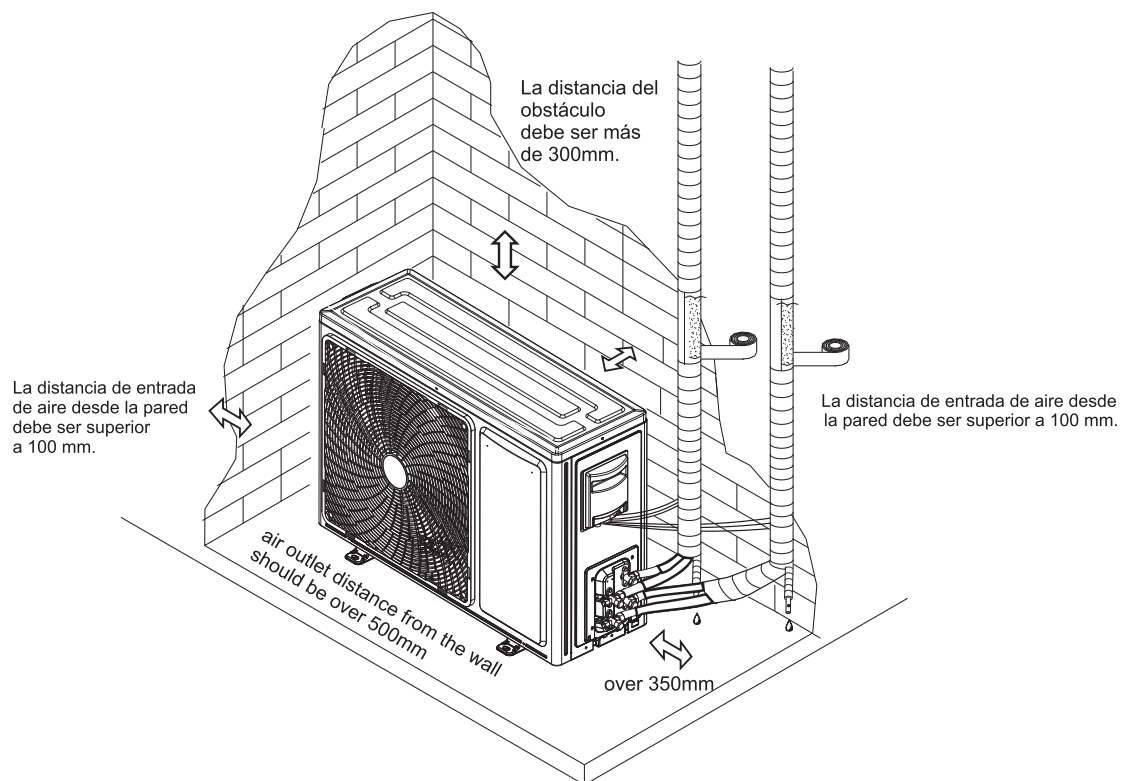
# Diagrama del flujo de refrigerante



Serie de hasta 5 unidades internas(125)

# Instrucciones de instalación

## Diagrama de instalación



## Unidad exterior



- La figura anterior es solo una representación sencilla de la unidad, podría no corresponderse al aspecto externo de la unidad que ha comprado.
- La instalación debe realizarla únicamente personal autorizado en conformidad con la normativa nacional sobre cableado.

# Instrucciones de instalación

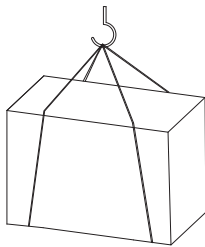
## Transporte y manipulación antes de la instalación

Transporte el producto tan cerca de la ubicación de instalación como sea práctico antes de desembalarlo.

### • Método de manipulación

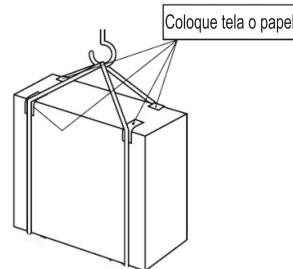
Al colgar la unidad, asegúrese de que esté equilibrada, compruebe la seguridad y elévela con suavidad.

- (1) No retire los materiales de embalaje.
- (2) Cuelgue la unidad en condición de embalaje con dos cuerdas, como se muestra en la figura siguiente.



### • Colgado

Si no dispone de embalaje para transportarla, protéjala con tela o papel.



## Seleccione la ubicación de instalación

**Antes de elegir el lugar de instalación, solicite la aprobación del usuario.**

- Donde no esté expuesta a vientos fuertes.
- Donde el flujo de aire sea adecuado y limpio.
- Donde no esté expuesta a la lluvia ni a la luz directa del sol.
- Donde el sonido del funcionamiento ni el aire caliente no molesten a los vecinos.
- Donde disponga de paredes o soportes rígidos para evitar que aumente el sonido o las vibraciones del funcionamiento.
- Donde no exista el riesgo de fugas de gas combustible.
- Donde haya al menos 3 m de distancia respecto a la antena del TV o de la radio. Es posible que sea necesario un amplificador para el dispositivo afectado.
- Instale la unidad horizontalmente.
- Instálela en una zona donde no se vea afectada por nevadas o ventiscas de nieve. En zonas con fuertes nevadas, instale una cubierta, un pedestal y/o tableros deflectores.

### ⚠ PRECAUCIÓN:

Evite los siguientes lugares de instalación, donde podrían surgir problemas con el aire acondicionado.

- Donde haya mucho aceite de máquinas.
- Lugares salados, como la costa marítima.
- Donde se generen gases de sulfuro, como en fuentes termales.
- Donde haya equipos de alta frecuencia o inalámbricos.

Nota:

Si utiliza el aire acondicionado en exteriores a bajas temperaturas, asegúrese de seguir estas instrucciones.

- Nunca instale la unidad exterior en un lugar donde la entrada/salida de aire pueda estar directamente expuesta al viento.
- Para evitar la exposición al viento, instale la unidad exterior con la entrada de aire encarada a la pared.
- Para evitar la exposición al viento, se recomienda instalar un tablero deflector en el lado de la entrada de aire de la unidad exterior.

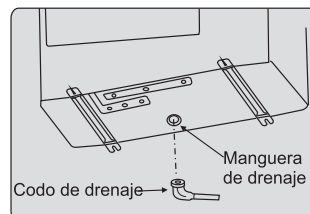
## Instalación del codo de drenaje y la manguera de drenaje

Instalación del codo de drenaje y la manguera de drenaje

• Podría drenarse agua condensada de la unidad exterior cuando la unidad funciona en modo de calefacción. Para evitar molestar a los vecinos y proteger también el medio ambiente, es necesario instalar un codo de drenaje y una manguera de drenaje para drenar el agua condensada.

• Instale el sistema de drenaje antes de conectar la unidad interior y la unidad exterior. De lo contrario, será difícil instalar el codo de drenaje una vez inmovilizada la máquina.

• Conecte la manguera de drenaje (incluida, diámetro interno: 15 mm) como se muestra en la figura.



Nota:

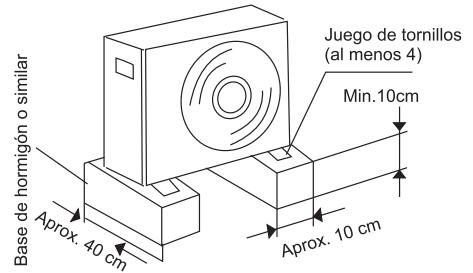
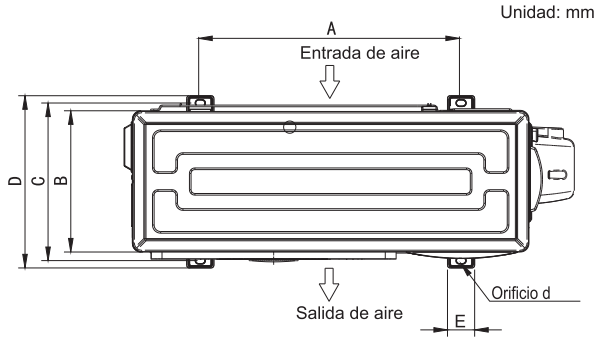
No utilice el codo de drenaje en una zona fría. El drenado podría congelarse y detener el funcionamiento del ventilador.

# Instrucciones de instalación

## Instalación exterior

### ⚠ NOTA:

- Asegúrese de fijar las patas de la unidad con tuercas cuando la instale.
- Asegúrese de instalar la unidad con firmeza para garantizar que no caiga por culpa de terremotos o ráfagas de viento.
- Los pernos de anclaje, tuercas y arandelas para la instalación están preparados para usar.



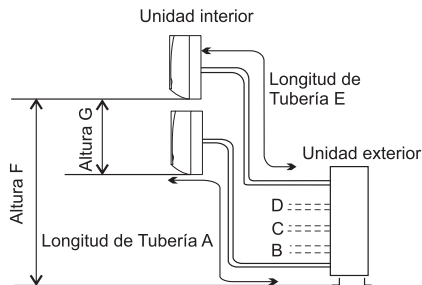
Serie	Modelo (x100W)	A	B	C	D	E	F	d
Hasta 2 unidades internas	35/42	730	260	480	290	317	125	11x17
	50	810	280	510	310	338	150	11x17
Hasta 3 unidades internas	42/52/62/72	860	310	542	341	368	168	11x17
Hasta 4 unidades internas	81/105	950	340	580	380	414	185	15
Hasta 5 unidades internas	125	950	340	580	380	414	185	15

## Tubería de refrigerante

### 1. Requisito de tuberías

Modelo	Diámetro exterior de tubería (mm)	
	Gas	Líquido
35/42/50/52/62/72/81/105/125	φ 9,52	φ 6,35

La longitud máxima permitida de la tubería de refrigerante, y la máxima diferencia de altura admisible entre las unidades exteriores e interiores, se enumeran a continuación. Cuanto menor sea la tubería de refrigerante es, mejor sea el rendimiento. Por eso, la tubería de conexión debe ser lo más corta como sea posible.



Ítem	Modelo	Hasta 2 unidades internas	Hasta 3 unidades internas	Hasta 4 unidades internas	Hasta 5 unidades internas
		35/42/50	42/52/62/72	81/105	125
Tuberías a cada unidad interior (A / B / C / D / E)	m	≤15	≤20	≤20	≤20
Longitud total de tubería entre todas las unidades	m	A+B≤30	A+B+C≤45	A+B+C+D≤60	A+B+C+D+E≤80
Altura máxima entre la unidad interior y la unidad exterior (F)	m	≤15			
Altura máxima entre las unidades interiores (G)	m	≤7.5			

# Instrucciones de instalación

## Carga de refrigerante adicional

La unidad ha sido llenada con refrigerante, pero si L (longitud total de la tubería) excede 15 m (35/ 42/ 50/52/ 62/ 72) / 20m (81/ 105) / 25m (125), la carga adicional de refrigerante (R32) es necesaria.

Para 35/42/50/52 / 62/ 72

Carga adicional de refrigerante = (L-15) x 12g/m

Para 81/105

Carga adicional de refrigerante = (L-20) x 12g/m

Para 125

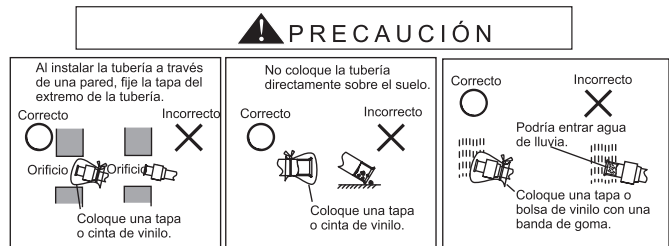
Carga adicional de refrigerante = (L-25) x 12g/m

## 2. Requisito de tuberías

- (1) Prepare tuberías de cobre suministradas localmente.
- (2) Elija tuberías de cobre limpias. Asegúrese de que no haya polvo o humedad dentro de las tuberías. Purgue el interior de las tuberías con nitrógeno o aire seco para eliminar el polvo o los materiales extraños antes de conectar las tuberías.
- (3) Utilice tuberías con el grosor y del material indicados a continuación. ( mm )

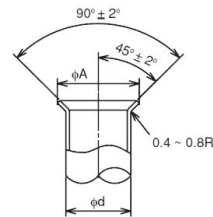
Diámetro	Grosor	Material
φ 6.35	0.8	O
φ 9.52	0.8	O
φ 12.7	0.8	O
φ 15.88	1.0	O

El material está basado en la norma JIS (JIS B8607).

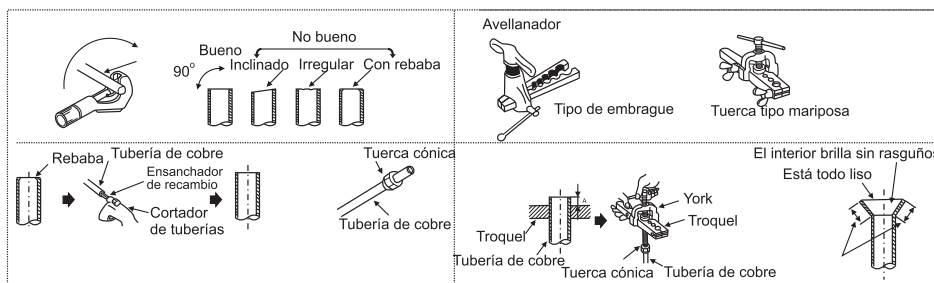


## 3. Procesamiento de la tubería de refrigerante

- (1) Corte de la tubería
  - Corte correctamente la tubería de cobre con un cortador de tuberías.
- (2) Eliminación de rebabas
  - Elimine completamente toda la rebaba de la sección cortada de la tubería.
  - Coloque el extremo de la tubería de cobre hacia abajo para evitar que la rebaba caiga dentro de la tubería.
- (3) Colocar la tuerca
  - Retire las tuercas cónicas de las unidades interior y exterior y colóquelas en la tubería cuando haya terminado de eliminar las rebabas (no es posible colocarlas después de realizar el ensanchamiento).
  - La tuerca cónica de la tubería dependerá del diámetro de la tubería.
- (4) Trabajo de avellanado
  - Realice el trabajo de avellanado utilizando el avellanador mostrado a continuación.
- (5) Comprobar
  - Compare el trabajo de avellanado con la figura siguiente.
  - Si el avellanado es defectuoso, corte la sección avellanada y vuelva a realizar el trabajo de avellanado.



Diámetro Φd	A <sup>+0</sup> <sub>-0.4</sub>
6.35	9.1
9.52	13.2
12.7	16.6
15.88	19.7





# Instrucciones de instalación

## 4. Conexión de la tubería

(1) Confirme que la válvula esté cerrada.  
 (2) Conecte la unidad interior y la unidad exterior con la tubería de refrigerante suministrada. Suspenda la tubería de refrigerante en puntos concretos y evite que toque las partes débiles del edificio, como las paredes, el techo, etc.

(Si las toca, podrían escucharse sonidos anormales debido a la vibración de las tuberías. Preste especial atención en caso de utilizar tuberías cortas.)

(3) Apriete la tuerca cónica utilizando dos llaves como se muestra en la figura de la derecha.

(4) Aplique capas finas de aceite refrigerante (incluido) en la superficie de la base de la tuerca cónica y en la tubería antes de conectarla y apretarla.

Utilice dos llaves para apretar la tuerca cónica.

(5) Se debe conectar la tubería del refrigerante exterior con una válvula de cierre.

(6) Después de terminar de conectar las tuberías de refrigerante, manténgalas calientes con el material aislante como se muestra en la figura de la derecha.

· Asegúrese de aislar todas las tuberías, incluidas las válvulas, de la unidad exterior.

· Cubra las juntas de las tuberías con cubiertas para tuberías.

· Utilice cinta para tuberías y aplíquela desde la entrada de la unidad exterior.

Fije el extremo de la cinta de la tubería con cinta adhesiva.

- Fije el extremo de la cinta de la tubería con cinta adhesiva.

- Cuando sea necesario pasar la tubería a través del techo, de un armario o zona.

Quando sea necesario pasar la tubería a través del techo, de un armario o

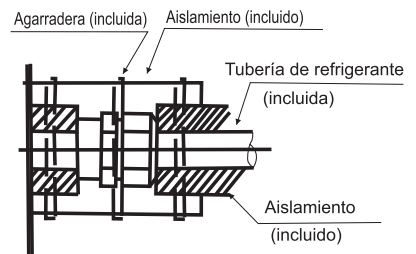
zona donde la temperatura y humedad sean elevadas, añada más aislamiento vendido comercialmente para prevenir la condensación.



Uso de dos llaves

Tamaño de la tubería	Par de torsión
Φ6.35(1/4)	20N · m (2kgf · m)
Φ9.52(3/8)	40N · m (4kgf · m)
Φ12.7(1/2)	60N · m (6kgf · m)
Φ15.88(5/8)	80N · m (8kgf · m)

Par de apriete para la tuerca cónica



Procedimiento de aislamiento de las tuberías



## PRECAUCIÓN

Si el diámetro de la tubería de conexión no coincide con el tamaño del puerto de la unidad exterior, seleccione articulaciones adecuadas de diferente diámetro en el accesorio de acuerdo con la siguiente tabla.

Nombre	Cantidad	Finalidad
	1	Cambie el diámetro de la tubería de 1/4 pulgada (6,35 mm) a 3/8 pulgada (9,52 mm)
	1	Cambie el diámetro de la tubería de 3/8 pulgada (9,52 mm) a 5/8 pulgada (15,88 mm)
	1	Cambie el diámetro de la tubería de 3/8 pulgada (9,52 mm) a 1/2 pulgada (12,7 mm)



Conecte las tuberías usando articulación de diferente diámetro

# Instrucciones de instalación

## 5. Prueba de hermetismo

### ● Comprobación de hermetismo. Utilice nitrógeno.

Conecte el manómetro del distribuidor usando mangueras de carga con un cilindro de nitrógeno a las juntas de comprobación de la tubería de líquido y de las válvulas de cierre de la tubería de gas.

Realice la prueba de hermetismo.

No abra las válvulas de cierre de la tubería de gas.

Aplique una presión de gas nitrógeno de 4,15 MPa.

Compruebe si hay fugas de gas en las conexiones de la tuerca cónica o en las piezas soldadas con un detector de fugas de gas o con un agente espumante. Si la presión de aire no aumenta, es normal.

Después de la prueba de hermetismo de aire, libere el gas nitrógeno.

6 Bomba de vacío y carga de refrigerante

### ● Bomba de vacío

(1) Conecte las tuberías de refrigerante (tanto la tubería de líquido como la tubería de gas) entre la unidad interior y la unidad exterior.

(2) Retire la tapa del puerto de servicio de la válvula de cierre que hay en la tubería de gas de la unidad exterior.

(3) Conecte el manómetro del distribuidor y la bomba de vacío al puerto de servicio de la válvula de cierre que hay en la tubería de gas de la unidad exterior.

(4) Haga funcionar la bomba de vacío (durante más de 15 minutos).

(5) Compruebe el vacío con la válvula del manómetro del distribuidor, ciérrela y pare la bomba de vacío.

(6) Déjela como está durante uno o dos minutos. Asegúrese de que el indicador del manómetro del distribuidor permanezca en la misma posición. Confirme que el manómetro de presión muestre -0,101 MPa (o -760 mmHg).

(7) Retire rápidamente el manómetro del distribuidor del puerto de servicio de la válvula de cierre.

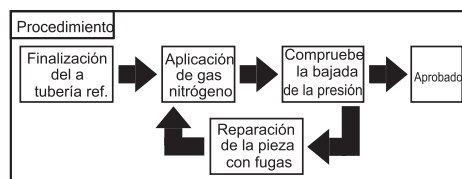
(8) Después de conectar y evacuar las tuberías de refrigerante, abra completamente todas las válvulas de cierre de la tubería de gas y la tubería de líquido.

(9) Abra la válvula ajustada para añadir refrigerante (debe ser líquido refrigerante).

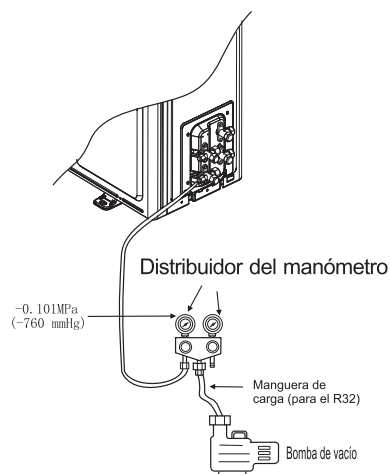
(10) Apriete la tapa del puerto de servicio.

(11) Vuelva a apretar la tapa.

(12) Compruebe si hay fugas con un detector de fugas con halógenos en la tuerca cónica y las soldaduras. Utilice espuma que no genere amoníaco (NH<sub>3</sub>) en la reacción.



Procedimiento de hermetismo



PRECAUCIÓN

(1) Para los modelos 35-105, es necesario evacuar cada tubería individualmente.

Para el modelo 125, solo es necesario purgar la válvula de parada principal.

(2) Un exceso o una escasez de refrigerante es la causa principal de los problemas de la unidad. Cargue la cantidad correcta de refrigerante de acuerdo con la descripción de la etiqueta que hay en el manual.

(3) Compruebe minuciosamente si hay fugas. Si hubiera una fuga grande de refrigerante, provocará problemas de respiración o aparecerán gases nocivos si se estaba usando llamas en la sala.

### ● Carga de refrigerante adicional

La unidad está llena de refrigerante.

Consulte "Requisitos de las tuberías" para calcular la carga adicional.

Una vez terminado el procedimiento de bombeado de vacío, evacúe primero el aire de la manguera de carga y, a continuación, abra las válvulas. Cargue el refrigerante de tipo "líquido" a través de la válvula de cierre de líquido.

Finalmente, cierre las válvulas y registre la cantidad cargada de refrigerante.

# Instrucciones de instalación

## Cableado

### ADVERTENCIA

- Apague el interruptor de alimentación principal de la unidad interior y de la unidad exterior y espere más de 3 minutos antes de realizar el trabajo de cableado eléctrico o las comprobaciones periódicas.
- Asegúrese de que el ventilador interior y el ventilador exterior se hayan detenido antes de realizar el trabajo de cableado eléctrico o una comprobación periódica.
- Proteja los cables, las piezas eléctricas, etc. de ratas u otros animales pequeños. Si no estuvieran protegidos, las ratas podrían roer las piezas desprotegidas y, en el peor caso, podría originarse un incendio.
- Evite que los cables entren en contacto con las tuberías de refrigerante, los bordes de las placas y las piezas eléctricas del interior de la unidad.  
Si no lo hace, los cables resultarán dañados y, en el peor caso, se originará un incendio.
- Instale un ELB (seccionador eléctrico) en la fuente de alimentación.  
Si no utiliza un ELB, se provocará una descarga eléctrica o un incendio, en el peor caso.
- Esta unidad utiliza un inversor, lo que significa que se debe usar un detector de fugas de tierra capaces de gestionar los armónicos para prevenir el malfuncionamiento del detector de fugas de tierra.
- No utilice cables de conexión intermedios, alambres trenzados (consulte **<Consideraciones para conectar el cableado de alimentación eléctrica>**), cables alargadores o conexiones de línea de control, ya que el uso de estos cables podría provocar calentamiento, descargas eléctricas o incendios.
- Se debe aplicar los siguientes pares de apriete de cada tornillos.  
M4: 1,0 to 1,3 N·m  
M5: 2,0 to 2,5 N·m  
M6: 4,0 to 5,0 N·m  
M8: 9,0 to 11,0 N·m  
M10: 18,0 to 23,0 N·m  
Mantenga los anteriores pares de apriete al realizar el cableado.

### PRECAUCIÓN

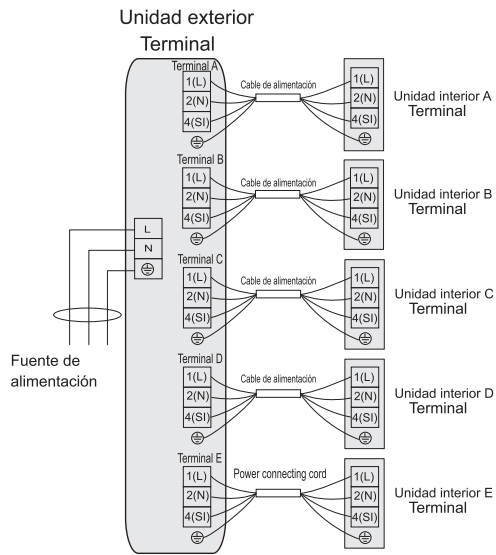
- Utilice cinta junto al alambre de joyería y los orificios de cableado sellados para prevenir la entrada de agua condensada y de insectos.
- Apriete de forma segura el cableado de la fuente de alimentación con la agarradera de cables del interior de la unidad.  
Nota: Fije las arandelas de goma con adhesivo cuando no utilice los tubos.

#### Comprobación general

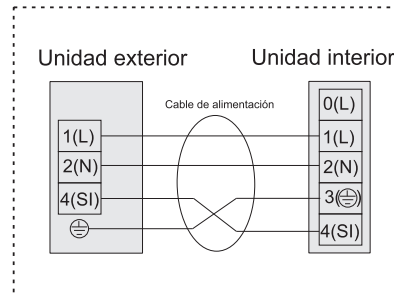
- (1) Asegúrese de que los componentes eléctricos incluidos (interruptores de alimentación principal, disyuntores, cables, conectores y terminales de cables) hayan sido elegidos en conformidad con la información eléctrica.  
Asegúrese de que los componentes cumplan el código eléctrico nacional (NEC, por sus siglas en inglés).
- (2) Asegúrese de que la tensión de la alimentación eléctrica esté en un rango de +10% de la tensión nominal y que la fase de tierra esté contenida en los cables de alimentación eléctrica. Si no, las piezas eléctricas resultarán dañadas.
- (3) Asegúrese de que la capacidad de la alimentación eléctrica sea suficiente.  
Si no, el compresor no podrá funcionar y hará que la tensión caiga de forma anormal al iniciarse.
- (4) Asegúrese de que el cable de tierra esté conectado.
- (5) Instale un interruptor principal, un interruptor omnipolar con un espacio de 3,5 mm o más, un interruptor monofásico con un espacio de 3,0 mm o más entre cada fase. Utilice el interruptor de alimentación trifásico especial para productos de 3 fases.
- (6) Asegúrese de que la resistencia eléctrica sea superior a 1 megohmio midiendo la resistencia entre tierra y la terminal de las piezas eléctricas.  
Si no, no utilice el sistema hasta encontrar y reparar la fuga eléctrica.

# Instrucciones de instalación

## Diagrama de cableado eléctrico



NOTA:  
Para algunas unidades interiores



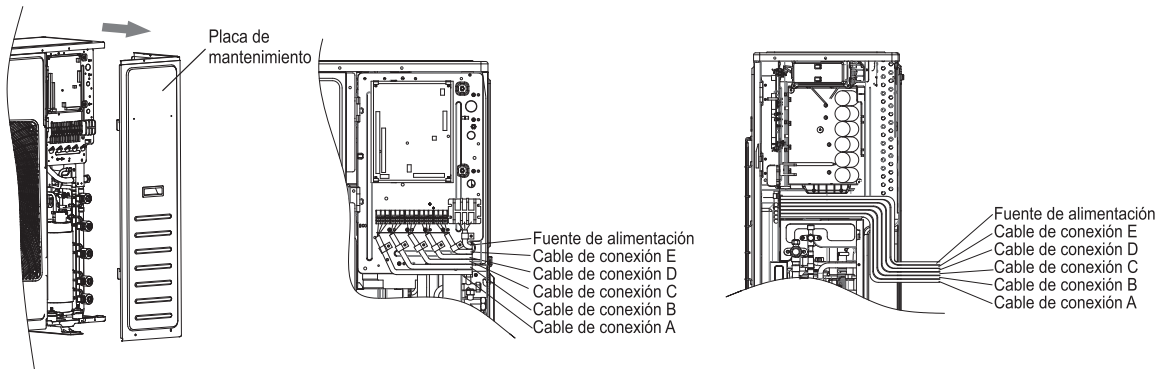
NOTE:

1. Para el modelo de hasta 2 unidades internas, no hay unidad interior C, D y E.
2. Para el modelo de hasta 3 unidades internas, no hay unidad interior D y E.
3. Para el modelo de hasta 4 unidades internas, no hay unidad interior E.

### Pasos de conexión de cables:

Tome por ejemplo el modelo 125

- (1) Desatornille los tornillos en la placa de mantenimiento, y elimínela como se muestra en la marca de flecha.
- (2) Fije el cable de alimentación y el cable de conexión a través del orificio del conductor.
- (3) Conecte el cable de alimentación y el cable de conexión al terminal.
- (4) Fije el cable de alimentación y el cable de conexión con la abrazadera del cable.
- (5) Vuelva a colocar la placa de mantenimiento después de la finalización de la obra.



# Instrucciones de instalación

## Datos eléctricos

Serie	Modelo	Fuente de alimentación	ELB		Tamaño de cable de la fuente de alimentación	Tamaño de cable de transmisión	Interruptor (A)
			Corriente nominal (A)	Corriente nominal sensitiva (mA)	EN60335-1	EN60335-1	
Hasta 2 unidades internas	35/42/50	220-240V ~, 50Hz	25	30	3×1.5mm <sup>2</sup>	4×1.5mm <sup>2</sup>	25
Hasta 3 unidades internas	42/52/62/72	220-240V ~, 50Hz	32	30	3×2.5mm <sup>2</sup>	4×1.5mm <sup>2</sup>	32
Hasta 4 unidades internas	81/105	220-240V~, 50Hz	32	30	3×2.5mm <sup>2</sup>	4×1.5mm <sup>2</sup>	32
Hasta 5 unidades internas	125	220-240V~, 50Hz	63	30	3×6.0mm <sup>2</sup>	4×1.5mm <sup>2</sup>	63

### Corriente de funcionamiento máxima (A CONSULTAR): A PLACA INDICADORA

#### Nota:

- (1) Siga los códigos y reglas locales para seleccionar los cables. Todos los anteriores son del tamaño de cable mínimo.
- (2) Utilice cables que no sean más ligeros que los cables flexibles revestidos con policloropreno habitual (designación del cable H07RN-F).
- (3) Los tamaños de cables marcados con \*1 en la tabla anterior han sido seleccionados con la corriente máxima de la unidad en conformidad con la norma europea EN60335-1.
- (4) Instale un interruptor principal y un ELB en cada sistema por separado. Seleccione el ELB con una respuesta alta que actúe en menos de 0,1 segundos.

Capacidad recomendada para comprobar la capacidad del interruptor de la unidad exterior.

En caso de que los cables de alimentación estén conectados en serie, añada la corriente máxima de cada unidad y seleccione los cables siguientes.

#### Selecciónelos en conformidad con la EN60335-1

Corriente i(A)	Tamaño de cable(mm <sup>2</sup> )
$i \leq 6$	0.75
$6 < i \leq 10$	1
$10 < i \leq 16$	1.5
$16 < i \leq 25$	2.5
$25 < i \leq 32$	4
$32 < i \leq 40$	6
$40 < i \leq 63$	10
$63 < i$	*

\*En caso de que la corriente supere los 63 A, no conecte cables en serie.

«Consideraciones para conectar el cableado de alimentación eléctrica»

1. Al conectar el bloque terminal usando un cable trenzado, asegúrese de usar el terminal rizado redondo para conectarlo al bloque terminal de la fuente de alimentación.  
Place the round crimp-style terminals on the wires up to the covered part and secure in place.  
Coloque los terminales rizados redondos en los cables hasta la parte cubierta y fíjelos.
2. Al conectar el bloque terminal con un cable unipolar, asegúrese de fraguarlo.

# Instrucciones de instalación

## Funcionamiento de prueba

Se debe realizar una prueba después de completar la instalación de las tuberías, el drenaje, el cableado, etc.



**PRECAUCIÓN**

El aire acondicionado se suministra con un calentador cárter, asegúrese de que el interruptor de la fuente de alimentación principal haya estado encendido durante más de 6 horas de precalentamiento antes de encenderlo, ¡de lo contrario podría dañarse el compresor!

No opere el sistema hasta que haya comprobado todos los puntos de verificación.

- ( A ) Asegúrese de que las válvulas de cierre de la unidad exterior estén completamente abiertas.
- ( B ) Asegúrese de que los cables eléctricos estén completamente conectados.
- ( C ) Asegúrese de que la resistencia eléctrica sea superior a 2 megohmios midiendo la resistencia entre tierra y la terminal de las piezas eléctricas. Si no, no utilice el sistema hasta encontrar y reparar la fuga eléctrica.

Identificación del funcionamiento de prueba

Utilice el mando a distancia para encenderlo y realice el funcionamiento de prueba.

Preste atención a los siguientes puntos mientras funcione el sistema.

No toque ninguna pieza con la mano en el lado del gas de descarga, ya que la cámara compresora y las tuberías del lado de descarga están calientes por encima de 90 °C.

Compruebe si el aparato funciona bien.

- Apague la alimentación una vez termine el funcionamiento de prueba.  
La instalación del aparato termina generalmente después de realizar las operaciones anteriores.  
Si todavía tiene problemas, póngase en contacto con el centro de servicio técnico local de nuestra empresa para solicitar más información.





#### Eliminación correcta del producto

Esta marca indica que no se debe eliminar el producto con otros residuos doméstico en la UE. Para evitar posibles daños al medio ambiente o a la salud debidos a la eliminación descontrolada de residuos, recíclelo de forma responsable para fomentar la reutilización sostenible de los recursos materiales. Para devolver su dispositivo usado, utilice los sistemas de devolución y recogida o póngase en contacto con el distribuidor donde compró el producto. Ellos pueden hacerse cargo del producto para reciclarlo de forma segura para el medio ambiente.

Hisense (Shandong) Air-conditioning Co., Ltd.  
No.1 Hisense Road, Nancun, Pingdu, Qingdao, Shandong Province, P. R. China



# Hisense

## INSTRUÇÕES DE USO E INSTALAÇÃO

Model:

2AMW35U4RRA  
2AMW42U4RRA  
3AMW42U4RJA  
2AMW50U4RXA  
3AMW52U4RJA  
3AMW62U4RFA  
3AMW72U4RFA  
4AMW81U4RAA  
4AMW105U4RAA  
5AMW125U4RTA

Muito obrigado por comprar este Ar Condicionado. Leia atentamente este manual de instruções de utilização e instalação antes de instalar e utilizar este aparelho e guarde este manual para referência futura.

# Instruções originais

## Conteúdo

<b>Precauções de segurança</b> .....	<b>1</b>
<b>Diagrama de fluxo de refrigerante</b> .....	<b>9</b>
<b>Instruções de instalação</b> .....	<b>11</b>
Diagrama de instalação .....	11
Transporte e Manuseio antes da instalação .....	12
Selecione os locais de instalação .....	12
Instale o cotovelo de drenagem e a mangueira de drenagem .....	12
Instalação exterior .....	13
Tubulação de refrigerante .....	13
Fiação .....	17
Ensaio de funcionamento .....	20

# Precauções de segurança

1. Este ar condicionado usa o refrigerante novo HFC (R32).
2. Uma vez que a pressão de trabalho máxima é de 4.3/4.15MPa (R22: 3.1MPa), algumas ferramentas de tubulação, instalação e serviço são especiais.
3. Este ar condicionado usa a fonte de alimentação de 220-240V ~, 50Hz :

**Leia atentamente estas PRECAUÇÕES DE SEGURANÇA para garantir uma instalação correcta.**

- Certifique-se de usar um circuito dedicado de energia e não coloque outras cargas na fonte de alimentação.
- Leia atentamente estas PRECAUÇÕES DE SEGURANÇA antes da instalação.
- Certifique-se de cumprir com as precauções de segurança do manual de instalação, pois o manual contém importantes questões de segurança. As definições para identificar os níveis de perigo são apresentadas abaixo com os respectivos símbolos de segurança.  
⚠ ADVERTÊNCIA: ráticas perigosas ou inseguras que PODEM resultar em ferimentos graves ou morte.  
⚠ CAUTION: Práticas perigosas ou inseguras que PODEM resultar em ferimentos pessoais menores ou danos ao produto ou à propriedade.
- Por favor, arquive cuidadosamente o manual da unidade interior e exterior para futura referência.



- A instalação deve ser deixada para os profissionais, não faça-a por si mesmo (cliente).  
A instalação incompleta pode causar danos por fogo, choque elétrico, queda ou vazamento de água.  
Consulte o seu revendedor ou pessoal de instalação profissional.
- Instale o ar condicionado numa base sólida que possa suportar o peso da unidade.  
Uma base inadequada ou instalação incompleta pode causar ferimentos no caso que a unidade caia da base.
- Use o tipo especificado de fio para conexões elétricas com segurança entre as unidades interior e exterior.  
E ligue-o firmemente à parte da conexão dos terminais do fio, de modo que a tensão do fio não seja aplicada a estas peças.  
Uma conexão incompleta pode causar incêndio.
- Para a fiação, use um cabo suficientemente longo para cobrir toda a distância sem conexão.  
E não conecte vários dispositivos à mesma fonte de alimentação CA.  
Caso contrário, a ação pode causar um mau contato, mau isolamento, excesso da corrente permitida e causar um incêndio ou choque elétrico.
- Depois que toda a instalação seja concluída, verifique se não há vazamento de refrigerante.  
Se o gás refrigerante entra no interior e o aquecedor, quando a chama de fogão toca no gás, substâncias nocivas serão geradas.
- Execute a instalação com segurança, consultando o manual de instalação.  
A instalação incompleta pode causar ferimentos pessoais devido a incêndio, choque elétrico, queda da unidade ou vazamento de água.
- De acordo com as instruções de instalação para trabalhos elétricos, certifique-se de usar uma linha dedicada.
- Se a capacidade do circuito da fonte de alimentação ou trabalho elétrico não estiver no lugar, a ação pode causar um incêndio ou choque elétrico.
- Conecte firmemente a tampa elétrica à unidade interior e ao painel de serviço à unidade exterior.
- Se as tampas elétricas da unidade interior ou do painel de serviço da unidade exterior não estiverem ligadas de forma segura, a ação poderá provocar um incêndio ou choque elétrico devido à poeira da água, etc.
- Certifique-se de cortar a fonte de alimentação principal antes da instalação da PCB (Placa de Circuito Impresso) eletrônica interna ou fiação.  
Caso contrário, isso pode causar choque elétrico.
- O dispositivo deve estar de acordo com as disposições do estado para instalação da fiação.
- O local da instalação da máquina exterior deve prestar atenção à proteção, evitar contatos das pessoas ou outros animais pequenos com componentes elétricos, por favor, mantenha a unidade exterior do ambiente circundante limpo e arrumado.
- Ao instalar ou recolocar a unidade, certifique-se de que nenhuma substância que não seja o refrigerante especificado (R32) entre no circuito do refrigerante.  
Qualquer presença de substância estranha, como o ar, pode provocar um aumento anormal da pressão ou uma explosão.

# Precauções de segurança



- Executar a ligação à terra  
Não ligue o fio de terra a um tubo de gás, tubo de água, pára-raios ou fio de terra do telefone. Uma ligação à terra defeituosa pode provocar um choque eléctrico.
- Não instale a unidade em locais onde haja vazamento de gás inflamável.  
Se o gás escorrer e acumular na área que circunda a unidade, o gás pode causar uma explosão.
- Aperte uma porca com uma chave de torque conforme especificado neste manual.  
Quando a porca for apertada demasiado, uma porca pode quebrar após um longo período e causar uma fuga de refrigerante.
- Instale um disjuntor de fuga à terra, dependendo do local de instalação (onde está úmido).  
Se um disjuntor de fuga à terra não estiver instalado, a ação poderá provocar um choque eléctrico.
- Execute o trabalho de drenagem/tubulação de forma segura de acordo com o manual de instalação.
- Se houver um defeito no trabalho de drenagem/tubulação, a água pode cair da unidade e bens domésticos podem ser molhados e danificados

## Instruções de segurança

- Não deixe o ar entrar no sistema de refrigeração ou descarregue o refrigerante ao deslocar o aparelho de ar condicionado.
- As instruções de instalação para aparelhos que se destinam a ser conectados permanentemente a fiação fixa e com uma corrente de vazamento que pode exceder 10 mA devem indicar que a instalação dum dispositivo de corrente residual (RCD) com uma corrente de operação residual nominal não superior a 30 mA é aconselhável.
- Este aparelho pode ser utilizado por crianças com idade igual ou superior a 8 anos e pessoas com capacidades reduzidas físicas, sensoriais ou mentais ou falta de experiência e conhecimento se tiverem sido supervisionadas ou instruções sobre o uso do aparelho de forma segura e compreendem os perigos envolvido. As crianças não devem brincar com o aparelho. A limpeza e a manutenção do usuário não devem ser feitas por crianças sem supervisão.
- Se o cabo de alimentação estiver danificado, ele deve ser substituído pelo fabricante, seu agente de serviço ou pessoas qualificadas para evitar um perigo.
- O aparelho deve ser instalado de acordo com os regulamentos de fiação nacionais.
- O serviço só deve ser realizado conforme recomendado pelo fabricante do equipamento.
- A manutenção e a reparação que requerem a assistência de outro pessoal habilitado devem ser realizadas sob a supervisão da pessoa competente no uso de refrigerantes inflamáveis.
- Os meios para a desconexão, como o disjuntor, que podem fornecer uma desconexão total em todos os pólos, devem ser incorporados na fiação fixa de acordo com as regras de fiação. É necessário permitir a desconexão do aparelho após a instalação. Certifique-se de que a desconexão do aparelho do fornecimento durante o serviço e a manutenção, uma desconexão com um sistema de bloqueio na posição isolada deve ser fornecida.
- O método de conexão do aparelho à fonte eléctrica e interconexão de componentes separados e o diagrama de fiação com uma indicação clara das conexões e fiação para dispositivos de controle externo e cabo de energia são detalhados nas partes abaixo.
- O cabo do tipo H05RN-F ou o tipo eletricamente equivalente deve ser usado para a conexão de energia e a interconexão entre a unidade externa e a unidade interna. O tamanho do cabo está detalhado em partes abaixo.
- Os detalhes do tipo e classificação dos fusíveis, ou a classificação dos disjuntores/ELB são detalhados nas partes abaixo.
- A informação das dimensões do espaço necessário para a instalação correta do aparelho, incluindo as distâncias mínimas permitidas para as estruturas adjacentes, é detalhada nas partes abaixo.
- Este aparelho destina-se a ser utilizado por usuários especializados ou treinados em lojas, na indústria leve e nas fazendas, ou para uso comercial de leigos.

# Precauções de segurança

## Precauções para o uso do refrigerante R32

Os procedimentos de instalação básica são os mesmos que os do refrigerante convencional (R22 ou R410A). No entanto, preste atenção aos seguintes pontos:

### ADVERTÊNCIA

#### 1. Transporte de equipamentos que contenham refrigerantes inflamáveis.

Atenção é chamada para o fato de que os regulamentos de transporte adicionais podem existir em relação aos equipamentos que contenham gases inflamáveis. O número máximo de peças de equipamento ou a configuração do equipamento, permitido para ser transportado em conjunto, serão determinados pelo regulamento de transporte aplicável.

#### 2. Marcação do equipamento com sinais

Os sinais para aparelhos similares (contendo refrigerantes inflamáveis) utilizados numa área de trabalho geralmente são tratados por regulamentos locais e fornecem os requisitos mínimos para a provisão de sinais de segurança e/ou saúde para um local de trabalho. Todos os sinais exigidos devem ser mantidos e os empregadores devem assegurar que os funcionários recebam instruções e treinamento adequados e suficientes sobre o significado de sinais de segurança apropriados e as ações que devem ser tomadas em conexão com esses sinais. A eficácia dos sinais não deve ser diminuída por muitos sinais colocados juntos. Qualquer pictograma usado deve ser o mais simples possível e conter apenas detalhes essenciais.

#### 3. Eliminação de equipamentos que utilizam refrigerantes inflamáveis

Conformidade com as regulamentações nacionais

#### 4. Armazenamento de equipamentos/aparelhos

O armazenamento do equipamento deve ser feito de acordo com as instruções do fabricante.

#### 5. Armazenamento do equipamento embalado (não vendido)

- A proteção do pacote de armazenamento deve ser construída de tal forma que danos mecânicos ao equipamento dentro da embalagem não causem um vazamento da carga de refrigerante.
- O número máximo de equipamentos que podem ser armazenados em conjunto será determinado pela regulamentação local.

#### 6. Informações sobre a manutenção

##### 6-1 Verificações para a área

Antes de começar a trabalhar em sistemas que contenham refrigerantes inflamáveis, verificações de segurança são necessárias para garantir que o risco de ignição está minimizado. Para reparos no sistema de refrigeração, as seguintes precauções devem ser cumpridas antes de realizar trabalhos no sistema.

##### 6-2 Procedimento de trabalho

Os trabalhos devem ser realizados sob um procedimento controlado de modo a minimizar o risco de gás ou vapor inflamável presente enquanto o trabalho está sendo executado.

##### 6-3 Área de trabalho geral

- Todo o pessoal de manutenção e outros que trabalhem na área local devem ser instruídos sobre a natureza do trabalho a ser realizado. O trabalho em espaços confinados deve ser evitado.
- A área ao redor do espaço de trabalho deve ser dividida. Certifique-se de que as condições dentro da área foram tornadas seguras pelo controle de materiais inflamáveis.

##### 6-4 Verificação da presença de refrigerante

- A área deve ser verificada com um detector de refrigerante apropriado antes e durante o trabalho, para garantir que o técnico esteja ciente de atmosferas potencialmente inflamáveis.
- Certifique-se de que o equipamento de detecção de fugas que está a ser utilizado é adequado para utilização com refrigerantes inflamáveis, tais como sem faíscas, adequadamente selados ou intrinsecamente seguros.

##### 6-5 Presença de extintor de incêndio

- Se qualquer trabalho a quente deve ser conduzido no equipamento de refrigeração ou em quaisquer peças associadas, o equipamento apropriado de extinção de incêndios deve estar disponível à mão.
- Tenha um extintor de incêndio em pó seco ou CO<sub>2</sub> junto à área de carregamento.

##### 6-6 Sem fontes de ignição

- Nenhuma pessoa que realize trabalhos em relação a um sistema de refrigeração que envolva a exposição de qualquer trabalho de tubagem que contenha ou tenha contido refrigerante inflamável deve utilizar quaisquer fontes de ignição de tal forma que possa levar ao risco de incêndio ou explosão.
- Todas as possíveis fontes de ignição, incluindo o tabagismo, devem ser mantidas suficientemente afastadas do local de instalação, reparação, remoção e eliminação, durante as quais o refrigerante inflamável pode eventualmente ser libertado para o espaço circundante.
- Antes de realizar o trabalho a área ao redor do equipamento deve ser inspecionado para certificar-se de que não há perigos inflamáveis ou riscos de ignição. "Não fumar" sinais devem ser exibidos.

##### 6-7 Área ventilada

- Certifique-se de que a área esteja aberta ou esteja devidamente ventilada antes de entrar no sistema ou realizar qualquer trabalho a quente.
- Um grau de ventilação deve continuar durante o período em que o trabalho é realizado.
- A ventilação deve dispersar com segurança todo o refrigerante libertado e, de preferência, expulsá-lo externamente para a atmosfera.

##### 6-8 Verificações para o equipamento de refrigeração

- Quando os componentes eléctricos estiverem sendo alterados, os componentes devem estar aptos para a finalidade e para a especificação correcta.
- Em todos os momentos as diretrizes de manutenção e serviço do fabricante devem ser seguidas. Em caso de dúvida, consulte o departamento técnico do fabricante para obter assistência.

## CUIDADO

- As seguintes verificações serão aplicadas às instalações que utilizem refrigerantes inflamáveis:
  - O tamanho da carga está de acordo com o tamanho do quarto dentro do qual as peças que contêm refrigerante estão instaladas;
  - As máquinas de ventilação e saídas funcionam adequadamente e não estão obstruídas;
  - Se um circuito de refrigeração indirecto estiver sendo utilizado, o circuito secundário deve ser verificado quanto à presença de refrigerante;
  - A marcação ao equipamento continua a ser visível e legível. As marcas e sinais ilegíveis devem ser corrigidos;
  - Os tubos ou componentes de refrigeração são instalados numa posição em que é improvável que sejam expostos a qualquer substância que possa corroer componentes que contenham refrigerante, a menos que os componentes estejam construídos com materiais que sejam intrinsecamente resistentes à corrosão ou que estejam devidamente protegidos contra a corrosão.

### 6-9 Verificações em dispositivos elétricos

- A reparação e manutenção de componentes eléctricos devem incluir controlos de segurança iniciais e procedimentos de inspecção de componentes.
- Se houver uma falha que possa comprometer a segurança, nenhuma fonte elétrica deve ser conectada ao circuito até que seja tratada satisfatoriamente.
- Se a falha não puder ser corrigida imediatamente, mas for necessário continuar a operação, uma solução temporária adequada deve ser utilizada.
- Isto deve ser comunicado ao proprietário do equipamento para que todas as partes sejam aconselhadas.
- Os controlos de segurança iniciais incluem:
  - Os capacitores são descarregados: isto deve ser feito de forma segura para evitar a possibilidade de faíscas;
  - Não há componentes elétricos vivos e fiação que estão expostos durante o carregamento, recuperação ou purga do sistema;
  - Há continuidade de ligação à terra.

### 7. Reparação de componentes selados

- Durante reparos de componentes selados, todos os suprimentos elétricos devem ser desconectados do equipamento em que estão sendo trabalhados antes de qualquer remoção de tampas seladas, etc.
- Se for absolutamente necessário um fornecimento de energia elétrica ao equipamento durante a manutenção, uma forma de detecção de vazamento permanentemente operacional deve estar localizada no ponto mais crítico para avisar outros numa situação potencialmente perigosa.
- Atenção especial deve ser prestada ao seguinte para assegurar que, ao trabalhar com componentes eléctricos, o invólucro não seja alterado de forma a afetar o nível de protecção.
- Isto deve incluir danos aos cabos, número excessivo de conexões, terminais não feitos de acordo com a especificação original, danos aos selos, encaixe incorreto de glândulas, etc.
- Certifique-se de que o aparelho está montado de forma segura.
- Certifique-se de que os selos ou materiais de vedação não se tenham degradado de tal modo que não sirvam mais para impedir a entrada de atmosferas inflamáveis.
- As peças de substituição devem estar de acordo com as especificações do fabricante.  
NOTA: O uso de selantes de silicone pode inibir a eficácia de alguns tipos de equipamentos de detecção de vazamentos.  
Componentes intrinsecamente seguros não precisam de ser isolados antes de trabalhar neles.

### 8. Reparação de componentes intrinsecamente seguros

- Não aplique nenhuma carga indutiva ou de capacitância permanente ao circuito sem garantir que isso não exceda a tensão e a corrente permitidas para o equipamento em uso.
- Componentes intrinsecamente seguros são os únicos tipos que podem ser trabalhados ao viver na presença de uma atmosfera inflamável. O aparelho de ensaio deve estar classificado corretamente.
- Substitua os componentes apenas por peças especificadas pelo fabricante.
- Outras partes podem resultar na ignição do refrigerante na atmosfera de uma fuga.

### 9. Cabeamento

- Verifique se o cabeamento não estará sujeito a desgaste, corrosão, pressão excessiva, vibração, bordas afiadas ou quaisquer outros efeitos ambientais adversos.
- A verificação deve também ter em conta os efeitos do envelhecimento ou da vibração contínua de fontes tais como compressores ou ventiladores.



## 10. Detecção de refrigerantes inflamáveis

- Sob nenhuma circunstância devem ser utilizadas fontes potenciais de ignição na busca ou detecção de fugas de refrigerante.
- Não deve ser utilizada uma tocha halóide (ou qualquer outro detector que utilize uma chama).

## 11. Métodos de detecção de vazamentos

Os seguintes métodos de detecção de fugas são considerados aceitáveis para sistemas que contenham refrigerantes inflamáveis:

- Os detectores eletrônicos de vazamento devem ser usados para detectar refrigerantes inflamáveis, mas a sensibilidade pode não ser adequada, ou pode precisar de recalibração. (O equipamento de detecção deve ser calibrado numa área isenta de refrigerante.)
- Certifique-se de que o detector não é uma fonte potencial de ignição e é adequado para o refrigerante utilizado.
- O equipamento de detecção de fugas deve ser fixado numa percentagem do LFL do refrigerante e deve ser calibrado para o refrigerante utilizado e a percentagem adequada de gás (25% no máximo) é confirmada.
- Os fluidos de detecção de fugas são adequados para uso com a maioria dos refrigerantes, mas o uso de detergentes que contenham cloro deve ser evitado, pois o cloro pode reagir com o refrigerante e corroer a tubulação de cobre.
- Se uma fuga for suspeitado, todas as chamas nuas devem ser removidas/extintas.
- Se for encontrada uma fuga de refrigerante que exija a brasagem, todo o refrigerante deve ser recuperado do sistema, ou isolado (por meio de válvulas de corte) numa parte do sistema remota da fuga.
- O nitrogênio livre de oxigênio (OFN) deve ser purgado através do sistema antes e durante o processo de brasagem.

## 12. Remoção e evacuação

- Ao invadir o circuito de refrigeração para fazer reparos - ou para qualquer outro propósito, procedimentos convencionais devem ser utilizados.
- No entanto, é importante que sejam seguidas as melhores práticas, uma vez que a inflamabilidade é uma consideração.
- O seguinte procedimento deve ser respeitado:
  - Remover o refrigerante;
  - Purgar o circuito com gás inerte;
  - Evacuar;
  - Purgar novamente com gás inerte;
  - Abrir o circuito através de cortar ou soldar.
- A carga de refrigerante deve ser recuperada nos cilindros de recuperação correctos.
- O sistema deve ser "lavado" com OFN para tornar a unidade segura.
- Esse processo precisa de ser repetido várias vezes.
- O ar ou o oxigênio comprimido não deve ser utilizado para esta tarefa.
- A lavagem deve ser obtida através de romper o vácuo no sistema com OFN e continuar a encher até que a pressão de trabalho seja atingida, ventilando-o para a atmosfera, e finalmente puxando-o para baixo para um vácuo.
- Este processo deve ser repetido até que nenhum refrigerante esteja dentro do sistema. Quando a carga final de OFN é utilizada, o sistema deve ser ventilado para a pressão atmosférica para permitir a realização do trabalho.
- Esta operação é absolutamente vital se as operações de brasagem na canalização forem realizadas.
- Certifique-se de que a saída da bomba de vácuo não está perto de quaisquer fontes de ignição e existe ventilação disponível.

## 13. Procedimentos de carregamento

- Além dos procedimentos de carregamento convencionais, devem ser seguidos os seguintes requisitos:
  - Certifique-se de que a contaminação de diferentes refrigerantes não ocorre quando se utiliza o equipamento de carga.
  - Mangueiras ou linhas devem ser tão curtas quanto possível para minimizar a quantidade de refrigerante contido neles.
  - Cilindros devem ser mantidos em posição vertical.
  - Certifique-se de que o sistema de refrigeração está aterrado antes de carregar o sistema com refrigerante.
  - Rotule o sistema quando o carregamento está completo (se não estiver concluído).
  - Tome cuidado para não sobrecarregar o sistema de refrigeração.
  - Antes de recarregar o sistema, ele deve ser testado sob pressão com OFN.
- Teste de fugas no sistema deve ser realizado após o carregamento, mas antes do comissionamento.
- Um teste de fugas seguinte deve ser realizado antes de sair do local.

## 14. Descomissionamento

Antes de realizar este procedimento, é essencial que o técnico esteja completamente familiarizado com o equipamento e todos os seus pormenores. Recomenda-se que todos os refrigerantes sejam recuperados com segurança.

# Precauções de segurança

## CUIDADO

Antes da realização da tarefa, uma amostra de óleo e refrigerante deve ser recolhida, caso seja necessária a análise antes da reutilização do refrigerante recuperado. É essencial que a energia elétrica esteja disponível antes que a tarefa seja iniciada.

- a) Familiarize-se com o equipamento e o seu funcionamento.
- b) Isole o sistema eletricamente.
- c) Antes de tentar o procedimento, certifique-se de que:
  - O equipamento de manuseamento mecânico está disponível, se necessário, para manusear cilindros de refrigerante;
  - Todos os equipamentos de proteção pessoal estão disponíveis e estão sendo usados corretamente;
  - O processo de recuperação é sempre supervisionado por uma pessoa competente;
  - Equipamentos e cilindros de recuperação cumprem com as normas apropriadas.
- d) Bombeie o sistema de refrigerante, se possível.
- e) Se um vácuo não for possível, faça um colector para que o refrigerante possa ser removido de várias partes do sistema.
- f) Certifique-se de que o cilindro está situado nas balanças antes da realização da recuperação.
- g) Inicie a máquina de recuperação e opere-a de acordo com as instruções do fabricante.
- h) Não encha demais os cilindros. (Não mais de 80% de carga líquida em volume).
- i) Não exceda a pressão de trabalho máxima do cilindro, mesmo temporariamente.
- j) Quando os cilindros foram enchidos corretamente e o processo foi concluído, certifique-se de que os cilindros e o equipamento são removidos do local prontamente e todas as válvulas de isolamento no equipamento são fechadas.
- k) O refrigerante recuperado não deve ser carregado em outro sistema de refrigeração, a menos que o sistema tenha sido limpo e verificado.

### 15. **Marcação**

Os equipamentos devem ser rotulados, indicando que foram descomissionados e esvaziados de refrigerante. O rótulo deve ser datado e assinado. Certifique-se de que existem etiquetas no equipamento que indicam que o equipamento contém refrigerante inflamável.

### 16. **Recuperação**

- Ao remover refrigerante dum sistema, para manutenção ou desativação, recomenda-se que todos os refrigerantes sejam removidos com segurança.
- Ao transferir o refrigerante para os cilindros, certifique-se de que apenas sejam utilizados cilindros adequados de recuperação de refrigerante.
- Certifique-se de que o número correto de cilindros para manter a carga total do sistema esteja disponível.
- Todos os cilindros a serem utilizados são designados para o refrigerante recuperado e marcados para esse refrigerante (isto é, cilindros especiais para a recuperação de refrigerante).
- Os cilindros devem estar completos com válvula de alívio de pressão e válvulas de corte associadas em bom estado de funcionamento.
- Os cilindros de recuperação vazios são evacuados e, se possível, arrefecidos antes de realizar a recuperação.
- O equipamento de recuperação deve estar em bom estado de funcionamento com um conjunto de instruções relativas ao equipamento que está à mão e deve ser adequado para a recuperação de refrigerantes inflamáveis.
- Além disso, um conjunto de balanças calibradas deve estar disponível e em bom estado de funcionamento.
- As mangueiras devem estar completas com acoplamentos de desconexão sem fugas e em boas condições.
- Antes de utilizar a máquina de recuperação, verifique se ela está em bom estado de funcionamento, se foi devidamente mantida e se todos os componentes eléctricos associados são selados para evitar a ignição no caso duma libertação de refrigerante.
- Consulte o fabricante em caso de dúvida.
- O refrigerante recuperado deve ser devolvido ao fornecedor de refrigerante no cilindro de recuperação correcto com a respectiva Nota de Transferência de Resíduos.
- Não misture refrigerantes em unidades de recuperação e especialmente em cilindros.
- Se os compressores ou os óleos do compressor forem removidos, certifique-se de que foram evacuados para um nível aceitável para se certificar de que o refrigerante inflamável não permanece dentro do lubrificante.
- O processo de evacuação deve ser realizado antes de devolver o compressor aos fornecedores.
- Somente o aquecimento eléctrico do corpo do compressor deve ser empregado para acelerar este processo.
- Quando o óleo é drenado dum sistema, a recuperação deve ser realizada com segurança.



## ATENÇÃO

### 17. Competência do pessoal de serviço

#### Informação e treinamento

O treinamento deve incluir a substância do seguinte:

Informações sobre a explosão possível de refrigerantes inflamáveis para mostrar que os inflamáveis podem ser perigosos quando tratados sem cuidado.

Informações sobre possíveis fontes de ignição, especialmente aquelas que não são óbvias, como isqueiros, interruptores de luz, aspiradores de pó, aquecedores elétricos.

Informações sobre o conceito de componentes selados e gabinetes selados de acordo com a IEC 60079-15: 2010.

Informações sobre os procedimentos de trabalho corretos:

#### a) Comissionamento

- Verifique se a área do piso é suficiente para a carga de refrigerante ou se o duto de ventilação está montado de maneira correta.
- Conecte os tubos e realize um teste de vazamento antes de carregar com refrigerante.
- Verifique o equipamento de segurança antes de colocá-lo em serviço.

#### b) Manutenção

- O equipamento portátil deve ser reparado no exterior ou numa oficina especialmente equipada para manutenção de unidades com refrigerantes inflamáveis.
- Garanta uma ventilação suficiente no local de reparo.
- Esteja ciente de que o mau funcionamento do equipamento pode ser causado por perda de refrigerante e um vazamento de refrigerante é possível.
- Descarregue os capacitores duma maneira que não cause faísca. O procedimento padrão para curto-circuito dos terminais do capacitor geralmente cria faíscas.
- Remonte os gabinetes vedados com precisão se as vedações estiverem gastas, substitua-as.
- Verifique o equipamento de segurança antes de colocá-lo em serviço.

#### c) Reparar

- O equipamento portátil deve ser reparado no exterior ou numa oficina especialmente equipada para manutenção de unidades com refrigerantes inflamáveis.
- Garanta uma ventilação suficiente no local de reparo.
- Esteja ciente de que o mau funcionamento do equipamento pode ser causado por perda de refrigerante e um vazamento de refrigerante é possível.
- Descarregue os capacitores duma maneira que não cause faísca.
- Quando a brasagem é necessária, os procedimentos a seguir devem ser executados na ordem correta.
  - Retire o refrigerante. Se o refrigerante não for exigido pelas regulamentações nacionais, drene o refrigerante para fora. Tome cuidado para que o refrigerante drenado não cause nenhum perigo. Na dúvida, uma pessoa deve proteger a saída. Tome especial cuidado para que o refrigerante drenado não volte a flutuar no edifício.
  - Evacue o circuito de refrigerante.
  - Purgue o circuito de refrigerante com nitrogênio por 5 minutos.
  - Evacue novamente (não é necessário para refrigerantes A2L)
  - Remova as peças a serem substituídas por corte, não por chamas.
  - Purgue o ponto de brasagem com nitrogênio durante o procedimento de brasagem.
  - Realize um teste de vazamento antes de carregar com refrigerante.
- Remonte os gabinetes selados com precisão. Se as vedações estiverem gastas, substitua-as.
- Verifique o equipamento de segurança antes de colocá-lo em serviço.

#### d) Descomissionamento

- Se a segurança for afetada quando o equipamento for colocado fora de serviço. A carga de refrigerante deve ser removida antes do descomissionamento.
- Garanta uma ventilação suficiente no local do equipamento.
- Esteja ciente de que o mau funcionamento do equipamento pode ser causado por perda de refrigerante e um vazamento de refrigerante é possível.
- Descarregue os capacitores duma maneira que não cause faísca.
- Remova-o se a recuperação não for exigida pelos regulamentos nacionais, drene o refrigerante para fora. Tome cuidado para que o refrigerante drenado não cause nenhum perigo. Na dúvida, uma pessoa deve proteger a saída. Tome especial cuidado para que o refrigerante drenado não volte a flutuar no edifício.

#### e) Disposição

- Garanta uma ventilação suficiente no local de trabalho.
- Retire o refrigerante. Se a recuperação não for exigida pelos regulamentos nacionais, drene o refrigerante para o exterior. Tome cuidado para que o refrigerante drenado não cause nenhum perigo. Na dúvida, uma pessoa deve proteger a saída. Tome especial cuidado para que o refrigerante drenado não volte a flutuar no edifício.
- Evacue o circuito de refrigerante
- Purgue o circuito de refrigerante com nitrogênio por 5 minutos.
- Evacue novamente.
- Corte o compressor e drene o óleo.

# Precauções de segurança





## ⚠ ATENÇÃO

- O aparelho deve ser instalado, operado e armazenado numa sala com uma área maior que X (X pode ser consultado no manual de instruções da unidade interna).
- A instalação da tubulação deve ser mantida numa sala com uma área maior que X (X pode ser consultado no manual de instruções da unidade interna).
- O trabalho de tubulação deve ser cumprido com os regulamentos nacionais do gás.
- A quantidade máxima de carga de refrigerante é X kg (veja X abaixo).
- Ao mover ou deslocalizar o ar condicionado, consulte técnicos de serviço experientes para desconexão e reinstalação da unidade.
- Não coloque quaisquer outros produtos elétricos ou pertences domésticos sob a unidade interna ou a unidade externa.
- A condensação que caia da unidade pode torná-los molhados e pode causar danos ou mau funcionamento da sua propriedade.
- Não use meios para acelerar o processo de descongelação ou limpar, além dos recomendados pelo fabricante.
- O aparelho deve ser armazenado numa sala sem fontes contínuas de ignição (por exemplo, chamas abertas, um aparelho de gás de operação ou um aquecedor elétrico de operação).
- Não perfure ou queime.
- Esteja ciente de que os refrigerantes podem não conter um odor.
- Para evitar aberturas de ventilação de obstrução.
- O aparelho deve ser armazenado numa área bem ventilada onde o tamanho da sala corresponde à área da sala conforme especificado para a operação.
- O aparelho deve ser armazenado numa sala sem chamas continuamente abertas (por exemplo, um aparelho a gás em operação) e fontes de ignição (por exemplo, um aquecedor elétrico de operação)
- Qualquer pessoa que esteja envolvida em trabalho ou entrar em um circuito de refrigerante deve possuir um certificado atual válido duma autoridade de avaliação credenciada pelo setor, o que autoriza sua competência para lidar com refrigerantes de acordo com uma especificação de avaliação reconhecida pelo setor.
- O serviço só deve ser realizado conforme recomendado pelo fabricante do equipamento.
- A manutenção e a reparação que requerem a assistência de outro pessoal habilitado devem ser realizados sob a supervisão da pessoa competente no uso de refrigerantes inflamáveis.
- O aparelho deve ser instalado e armazenado para evitar danos mecânicos.
- Os conectores mecânicos usados no interior devem estar em conformidade com a ISO 14903. Quando os conectores mecânicos são reutilizados no interior, as peças de vedação devem ser renovadas. Quando as juntas alargadas são reutilizadas no interior, a parte de alargamento deve ser re-fabricada.
- A instalação do trabalho de tubulação deve ser reduzida ao mínimo.
- As conexões mecânicas devem ser acessíveis para fins de manutenção.

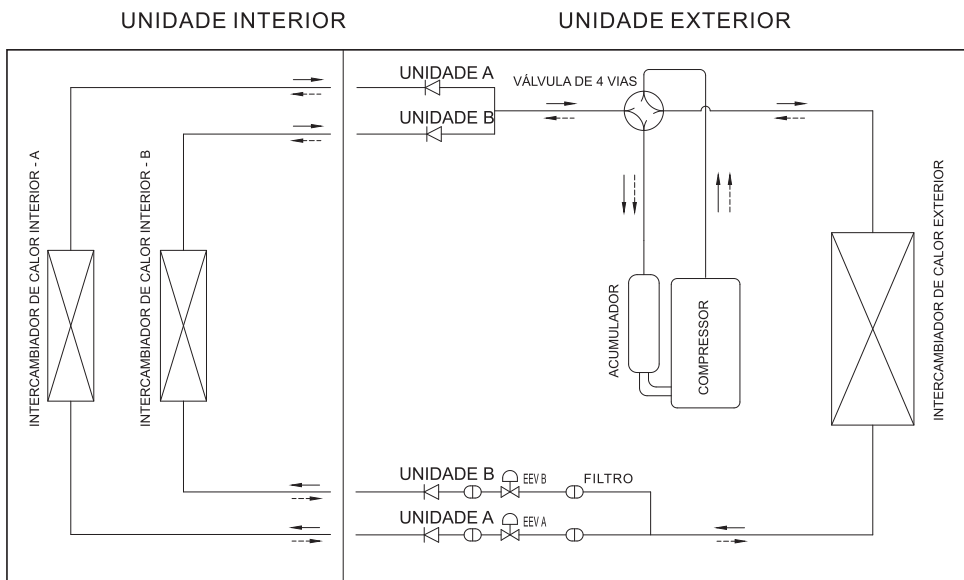
### Quantidade de Carga de refrigerante Máxima X (kg)

Séries	Até 2 unidades de interior		Até 3 unidades de interior				Até 4 unidades de interior		Até 5 unidades de interior
	Modelo	35/42	50	42	52	62	72	81	105
Carga de refrigerante Máxima (kg)	1.17	1.29	1.71	1.71	1.81	1.81	2.28	2.68	3.98

Explicação dos símbolos apresentados na unidade interior ou exterior.

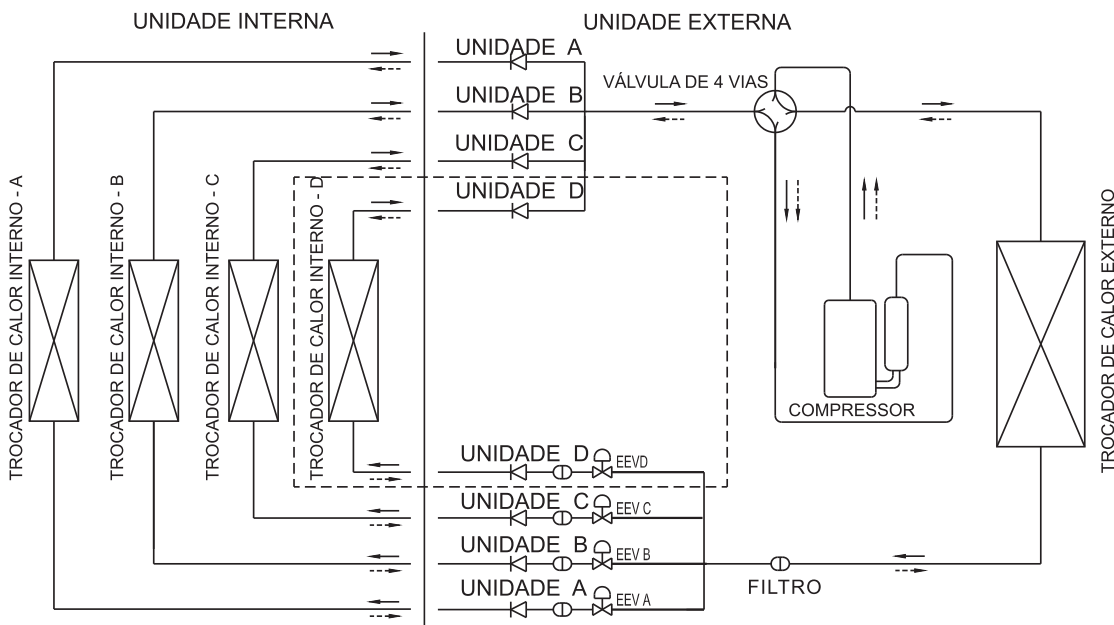
	<b>ADVERTÊNCIA</b>	Este símbolo indica que este aparelho utiliza um refrigerante inflamável. Se o refrigerante estiver vazado e exposto a uma fonte de ignição externa, existe o risco de incêndio
	<b>CUIDADO</b>	Este símbolo mostra que o manual de operação deve ser lido com cuidado.
	<b>CUIDADO</b>	Este símbolo mostra que um pessoal de manutenção deve manusear este equipamento com referência ao manual de instalação.
	<b>CUIDADO</b>	Este símbolo mostra que as informações estão disponíveis, tais como o manual de operação ou o manual de instalação.

# Diagrama de fluxo de refrigerante



- ← Ciclo de resfriamento
- ←--- Ciclo de aquecimento

Até 2 séries de unidades de interior(35/42/50)

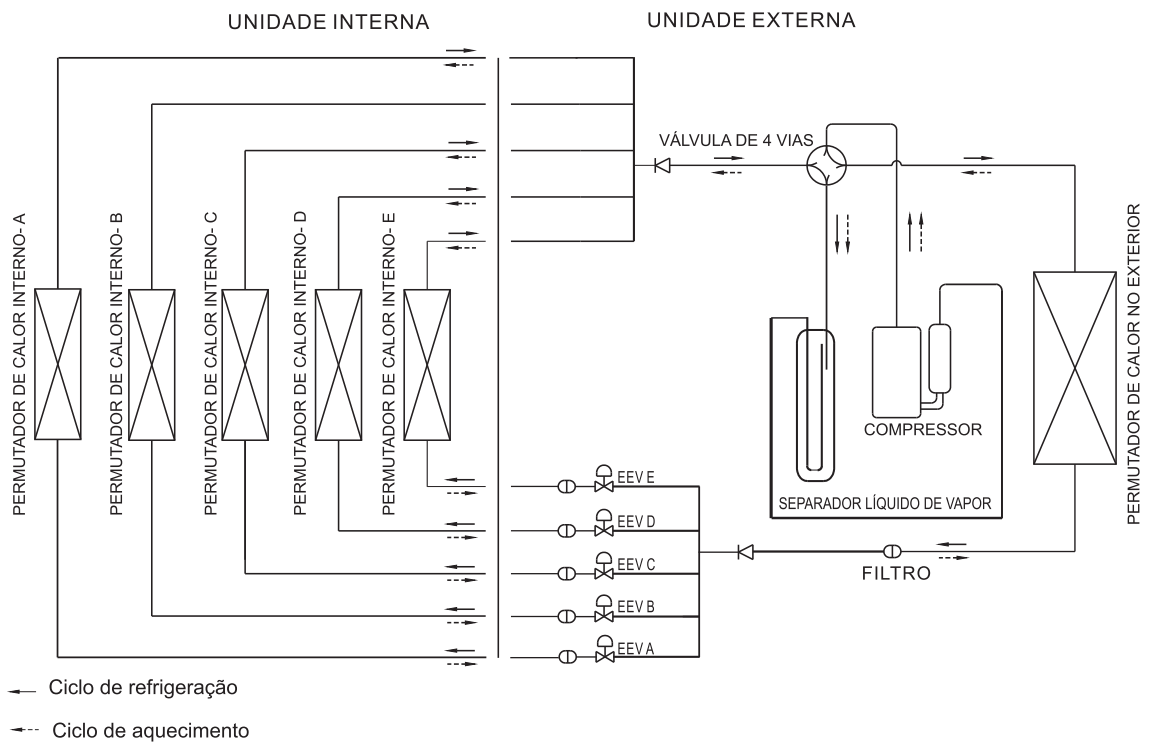


- ← Ciclo de resfriamento
- ←--- Ciclo de aquecimento

A UNIDADE D é apenas para modelo 81/105.

Até 3&4 séries de unidades de interior(42/52/62/72/81/105)

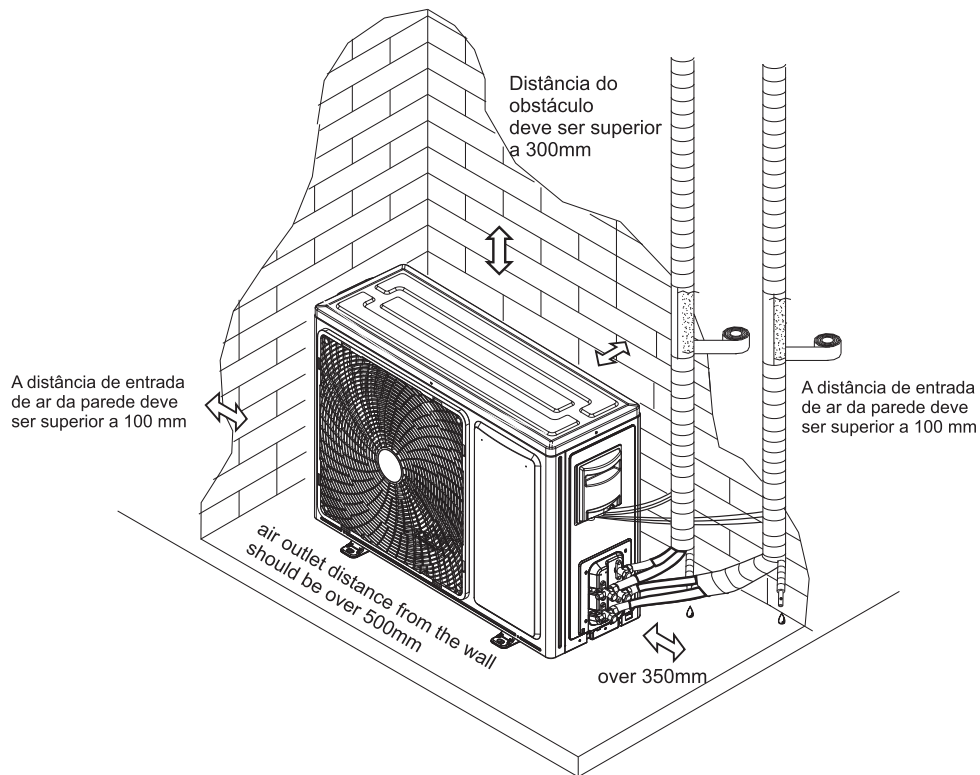
# Diagrama de fluxo de refrigerante



Até 5 séries de unidades de interior(125)

# Instruções de instalação

## Diagrama de instalação



## Unidade externa



- A figura acima é apenas uma apresentação simples da unidade, pode não corresponder à aparência externa da unidade que você comprou.
- A instalação deve ser realizada de acordo com as normas nacionais de cablagem apenas por pessoal autorizado.

# Instruções de instalação

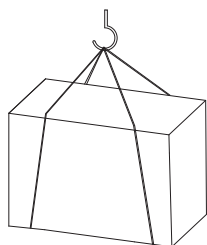
## Transporte e Manuseio antes da instalação

Transporte o produto o mais próximo possível do local de instalação, antes de desembalar.

### • Método de suspensão

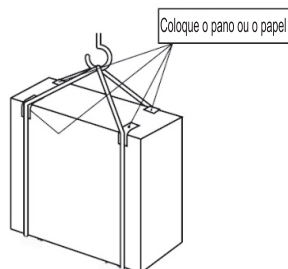
Ao pendurar a unidade, verifique o equilíbrio da unidade, verifique a segurança e levante-a suavemente.

- (1) Não remova nenhum material de embalagem.
- (2) Pendure a unidade em condições de embalagem com duas cordas, como mostrado na Fig. abaixo.



### • Suspensão

Se o produto não tiver nenhum pacote para se mover, por favor, proteja o aparelho com pano ou papel.



## Selecione os locais de instalação

**Antes de escolher o local de instalação, obtenha aprovação do usuário.**

- Onde o aparelho não está exposto ao vento forte.
- Onde o fluxo de ar é bom e limpo.
- Onde o aparelho não é exposto à chuva e ao sol direto.
- Onde os vizinhos não são incomodados pelo som da operação ou pelo ar quente.
- Onde parede rígida ou suporte está disponível para evitar o aumento do som de operação ou vibração.
- Onde não há risco de vazamento de gás combustível.
- Onde há distância de pelo menos 3m da antena de TV ou rádio. Um amplificador pode ser necessário para o dispositivo afetado.
- Instale a unidade horizontalmente.
- Por favor, instale-o numa área não afetada por queda de neve ou neve soprando. Em áreas com neve pesada, instale um dossel, um pedestal e/ou algumas placas defletoras.

### ⚠ CUIDADO:

Evite os seguintes locais de instalação onde o problema do ar condicionado é susceptível de ocorrer.

- Onde há muito óleo de máquina.
- Lugares salgados, como à beira-mar.
- Quando o gás sulfureto é gerado, tal como uma fonte termal.
- Onde houver equipamentos de alta frequência ou sem fio.

Nota:

Ao operar o ar condicionado em baixa temperatura externa, certifique-se de seguir as instruções descritas abaixo.

- Nunca instale a unidade exterior num local onde o seu lado de entrada/saída de ar possa estar diretamente exposto ao vento.
- Para evitar a exposição ao vento, instale a unidade exterior com o lado de entrada de ar para a parede.
- Para evitar a exposição ao vento, recomenda-se instalar uma placa defletora no lado de saída de ar da unidade exterior.

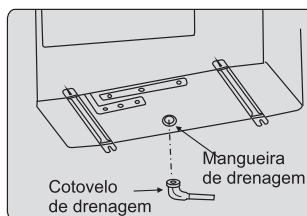
## Instale o cotovelo de drenagem e a mangueira de drenagem

Instale o Cotovelo de Drenagem e a Mangueira de Drenagem

• A água condensada pode fluir da unidade exterior quando a unidade funciona no modo de aquecimento. Para evitar perturbar vizinhos também para proteger o ambiente, é necessário instalar um cotovelo de drenagem e uma mangueira de drenagem para drenar a água condensada.

• Por favor faça o trabalho de drenagem antes que a unidade interna e a unidade exterior estejam conectadas. Caso contrário, será difícil instalar o cotovelo de drenagem depois que a máquina se torne imóvel.)

• Conecte a mangueira de drenagem (fornecida em local, com diâmetro interno: 15mm), conforme mostrado na figura para drenagem.



Nota:

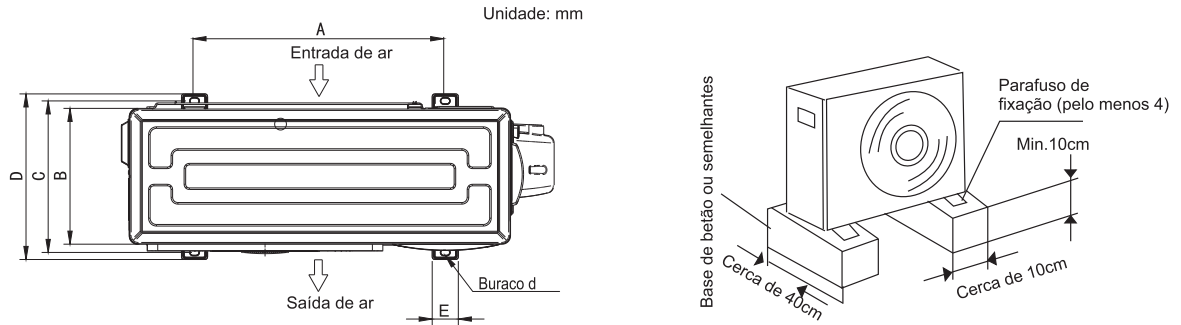
Não use o cotovelo de drenagem na região fria. O dreno pode congelar para parar o ventilador funciona.

# Instruções de instalação

## Instalação exterior

### ⚠️ NOTA:

Certifique-se de fixar as pernas da unidade com parafusos ao instalá-la.  
 Certifique-se de instalar a unidade firmemente para garantir que não caia por terremoto ou rajada.  
 Os parafusos, porcas e arruelas de fixação para a instalação são preparados pelo usuário.



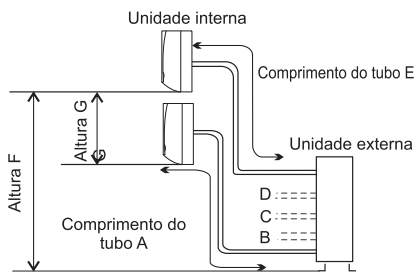
Séries	Modelo (×100W)	A	B	C	D	E	F	d
Até 2 unidades de interior	35/42	730	260	480	290	317	125	11×17
	50	810	280	510	310	338	150	11×17
Até 3 unidades de interior	42/52/62/72	860	310	542	341	368	168	11×17
Até 4 unidades de interior	81/105	950	340	580	380	414	185	15
Até 5 unidades de interior	125	950	340	580	380	414	185	15

## Tubagem de refrigerante

### 1. Requisito de tubulação

Modelo	Diâmetro externo do tubo (mm)	
	Gás	Líquido
35/42/50/52/62/72/81/105/125	φ 9,52	φ 6,35

O comprimento máximo permitido da tubulação de refrigerante e a diferença de altura máxima permitida entre as unidades externa e interna estão listados abaixo. Quanto menor a tubulação de refrigerante, melhor será o desempenho. Portanto, o tubo de conexão deve ser o mais curto possível.



Item	Modelo	Até 2 unidades de interior	Até 3 unidades de interior	Até 4 unidades de interior	Até 5 unidades de interior
		35/42/50	42/52/62/72	81/105	125
Tubulação para cada unidade interna (A/B/C/D/E)	m	≤15	≤20	≤20	≤20
Comprimento total da tubulação entre todas as unidades	m	A+B≤30	A+B+C≤45	A+B+C+D≤60	A+B+C+D+E≤80
Altura máxima entre a Unidade Interna e a Unidade Externa (F)	m	≤15			
Altura máxima Entre Unidades Internas (G)	m	≤7.5			

# Instruções de instalação

## Carga adicional de refrigerante

A unidade foi preenchida com refrigerante, mas se L (comprimento total do tubo) exceder 15m (35/42/50/52/62/72) / 20m (81/105) / 25m (125), será necessário uma carga adicional com refrigerante (R32).

Para 35/42/50/52/62/72

Carga adicional de refrigerante =  $(L-15) \times 12g / m$

Para 81/105

Carga adicional de refrigerante =  $(L-20) \times 12g / m$

For 125

Carga adicional de refrigerante =  $(L-25) \times 12g / m$

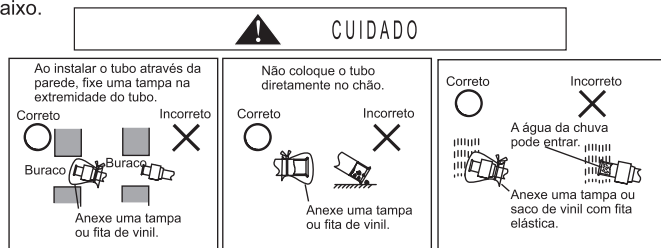
## 2. Requisito de tubulação

- (1) Prepare tubos de cobre fornecidos localmente.
- (2) Selecione tubos de cobre limpos. Certifique-se de que não há poeira e umidade dentro dos tubos. Limpe o interior dos tubos com nitrogênio ou ar seco, para remover qualquer poeira ou materiais estranhos antes de conectar os tubos.

(3) Espessura da tubulação e material do tubo como abaixo.

Diâmetro	Espessura	Material
$\phi$ 6.35	0.8	O
$\phi$ 9.52	0.8	O
$\phi$ 12.7	0.8	O
$\phi$ 15.88	1.0	O

O material é baseado num padrão JIS (JIS B8607).



## 3. Processamento de tubulações de refrigerante

(1) Corte de tubos

- Corte a tubulação de cobre corretamente com o cortador de tubulação.

(2) Remoção de rebarbas

- Remova completamente todas as rebarbas da seção transversal cortada do tubo.
- Coloque a extremidade do tubo de cobre para baixo para evitar rebarbas de cair no tubo.

(3) Coloque porcas

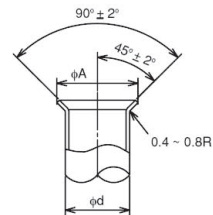
- Remova as porcas de alargamento anexadas às unidades interna e externa, em seguida, coloque-as em tubo, tendo as rebarbas removidas. (Não é possível colocá-las após o trabalho de alargamento).
- Alargue a porca para tubo dependendo do diâmetro do tubo.

(4) Trabalho de alargamento

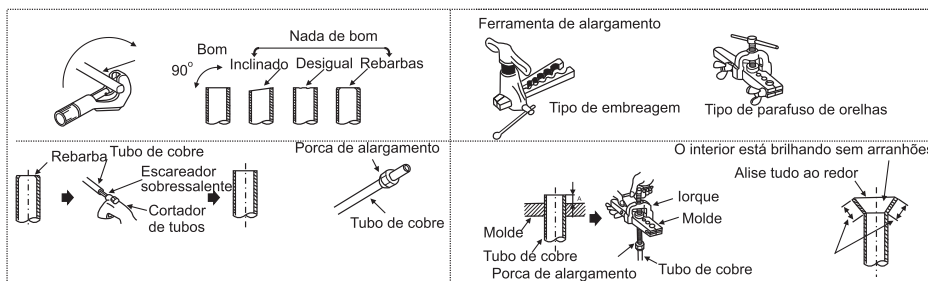
- Execute o trabalho de alargamento, usando a ferramenta de alargamento conforme mostrado abaixo.

(5) Verificar

- Compare o trabalho de alargamento com a figura abaixo.
- Se o trabalho de alargamento for notado como defeituoso, corte a seção alargada e execute novamente o trabalho de alargamento.



Diâmetro $\phi d$	$A^{+0}_{-0.4}$ (mm)
6.35	9.1
9.52	13.2
12.7	16.6
15.88	19.7





# Instruções de instalação

## 4. Conexão de tubulação

- (1) Confirme se a válvula está fechada.
- (2) Conecte a unidade interna e a unidade externa com tubulação de refrigerante fornecida no campo. Suspenda a tubulação de refrigerante em determinados pontos e evite que a tubulação de refrigerante toque na parte fraca do edifício, como parede, teto, etc.  
(Se for tocado um ruído anormal pode ocorrer devido à vibração da tubulação. Preste especial atenção no caso de curto comprimento da tubagem).
- (3) Apertando a porca flare, use duas chaves como figura direita.
- (4) Aplique o óleo refrigerante (fornecido no campo) na superfície do assento da porca de alargamento e do tubo antes de conectá-lo e apertá-lo.  
Ao apertar a porca de alargamento, use duas chaves.
- (5) As tubagens de refrigerante exteriores devem ser conectadas com a válvula de parada.

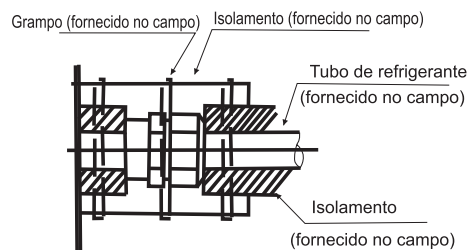


Trabalho de chave inglesa dupla

Tamanho da tubulação	Torque
Φ 6.35(1/4)	20N · m (2kgf · m)
Φ 9.52(3/8)	40N · m (4kgf · m)
Φ 12.7(1/2)	60N · m (6kgf · m)
Φ 15.88(5/8)	80N · m (8kgf · m)

Torque de aperto para a porca de alargamento

- (6) Depois de terminar a conexão dos tubos de refrigerante, mantenha-os quentes com o material de isolamento como figura direita.
  - Para lado da unidade exterior, isole seguramente cada tubulação incluindo válvulas.
  - Cubra as juntas das tubagens com a tampa do tubo.
  - Usando fita adesiva, aplique a fita a partir da entrada da unidade exterior. Fixe a extremidade da tubulação com fita adesiva.
  - Fixe a extremidade da tubulação com fita adesiva.
  - Quando a tubagem tem de ser arranjada através de teto, armário ou área. Quando a tubulação tem de ser arranjada através do teto, armário ou área onde a temperatura e a umidade são elevadas, aplique o isolamento adicional vendido comercialmente para a prevenção da condensação.



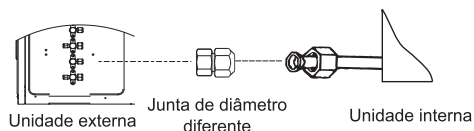
Procedimento de isolamento de tubulações



## CUIDADO

Se o diâmetro do tubo de conexão não corresponder ao tamanho da porta da unidade externa, selecione juntas de diâmetro diferente apropriadas no acessório, de acordo com a tabela a seguir.

Nome	Quan.	Objetivo
	1	Altere o diâmetro do tubo de 1/4 de polegada (6,35 mm) para 3/8 de polegada (9,52 mm)
	1	Altere o diâmetro do tubo de 3/8 de polegada (9,52 mm) para 5/8 de polegada (15,88 mm)
	1	Altere o diâmetro do tubo de 3/8 de polegada (9,52 mm) para 1/2 de polegada (12,7 mm)



Conecte os tubos com uma junta de diâmetro diferente

# Instruções de instalação

## 5. Teste de Estanquidade

### ● Teste de Estanquidade - Use nitrogênio.

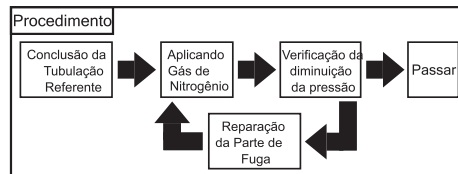
Conecte o coletor de medição, usando mangueiras de carga com um cilindro de nitrogênio nas juntas de verificação das válvulas de parada da linha de líquido e da linha de gás.

Realize o teste hermético.

Não abra as válvulas de parada da linha de gás.

Aplique a pressão de gás de nitrogênio de 4,15 MPa.

Verifique se há vazamento de gás nas conexões da porca de alargamento, ou peças soldadas por um detector de vazamento de gás ou agente espumante. O fenômeno de que a pressão do gás não diminui é OK. Após o teste hermético, liberte o gás de nitrogênio.



Procedimento de estanquidade

## 6 Bombeamento de vácuo e carregamento de refrigerante

### ● Bombeamento de vácuo

(1) Ligue os tubos de refrigerante (tubo de líquido e tubo de gás) entre a unidade interior e a unidade exterior.

(2) Remova a tampa de serviço da válvula de paragem no lado do tubo de gás da unidade exterior.

(3) Ligue o manómetro e a bomba de vácuo à entrada de serviço da válvula de paragem no lado do tubo de gás da unidade exterior.

(4) Inicie a bomba de vácuo. (Funcionar por mais de 15 minutos.)

(5) Verifique o vácuo com a válvula do manómetro, feche a válvula do manómetro e pare a bomba de vácuo.

(6) Deixe a bomba funcionar por um ou dois minutos. Certifique-se de que o ponteiro do medidor permanece na mesma posição. Confirme se o manómetro apresenta -0,101MPa (ou -760mmHg).

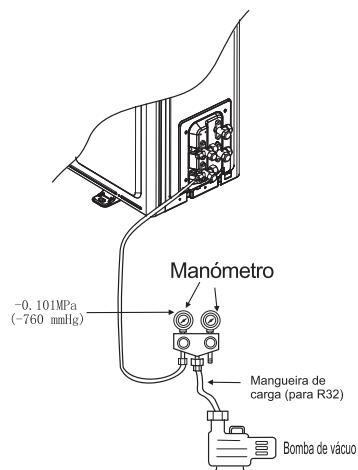
(7) Remova rapidamente o manómetro da porta de serviço da válvula de paragem. (8) Depois que os tubos de refrigerante estiverem conectados e evacuados, abra completamente todas as válvulas de parada de ambos os lados do tubo de gás e do tubo de líquido.

(9) Abra válvula ajustada para adicionar refrigerante (refrigerante deve ser líquido).

(10) Aperte a tampa na porta de serviço.

(11) Volte a apertar a tampa.

(12) Realize o teste de estanquidade com detector de vazamento de halogênio para verificar a porca de alargamento e brasagem. Vazamentos do departamento de Carolina. Use espuma que não gera amônia (NH<sub>3</sub>) na reação.



(1) Para os modelos 35 ~ 105, cada gasoduto deve ser evacuado individualmente.

Para o modelo 125, basta aspirar na válvula de parada principal.

(2) Um excesso ou uma escassez de refrigerante é a principal causa de problemas para a unidade. Carregue a quantidade correta de refrigerante de acordo com a descrição da etiqueta no interior do manual.

(3) Verifique se há vazamento de refrigerante em detalhes. Se ocorrer uma grande fuga de refrigerante, isso causará dificuldade para a respiração ou gases nocivos poderiam ocorrer se um fogo estava sendo usado na sala.

### ● Carga de refrigerante adicional

A unidade foi enchida com refrigerante.

Por favor, calcule a carga adicional de acordo com "Requisito de tubulação".

Depois que o procedimento de bombeamento de vácuo tiver sido terminado, primeiro esvazie o ar da mangueira de carga, abra as válvulas, carregue o refrigerante como tipo "líquido" através da válvula de parada de Líquido.

No final, feche as válvulas e registre a quantidade de carga de refrigerante.

# Instruções de instalação

## Fiação



### ADVERTÊNCIA

- Desligue o interruptor de alimentação principal para a unidade interior e para a unidade exterior e aguarde mais de 3 minutos antes do trabalho de ligação eléctrica ou da verificação periódica.
- Certifique-se de que a ventoinha interior e a ventoinha exterior pararam antes de efectuar trabalhos de fiação eléctrica ou da verificação periódica.
- Proteja os fios, peças eléctricas, etc. de ratos ou outros animais pequenos. Se o aparelho não estiver protegido, os ratos podem roer em partes desprotegidas e, no pior, um incêndio ocorrerá.
- Evite que os fios fiquem em contato com os tubos de refrigerante, as arestas das placas e as peças eléctricas dentro da unidade. Caso contrário, os fios serão danificados e no pior, um incêndio ocorrerá.
- Instale um ELB (Disjuntor de Fuga Elétrica) na fonte de alimentação.  
Se o ELB não for usado, um choque eléctrico ou incêndio poderá ser causado no pior.
- Esta unidade utiliza um inversor, o que significa que deve ser utilizado um detector de vazamento de terra capaz de tratar harmônicos, a fim de evitar o mau funcionamento do detector de vazamento de terra.
- Não use fios de conexão intermediária, cabos trançados (consulte <Atendimentos ao Conectar a fiação da fonte de alimentação>), cabos de extensão ou conexão de linha de controle, pois o uso desses fios pode causar febre, choque eléctrico ou incêndio.
- O torque de aperto de cada parafuso deve ser o seguinte.  
M4: 1.0 to 1.3 N-m  
M5: 2.0 to 2.5 N-m  
M6: 4.0 to 5.0 N-m  
M8: 9.0 to 11.0 N-m  
M10: 18.0 to 23.0 N-m  
Mantenha o torque de aperto acima durante o trabalho de fiação.



### CUIDADO

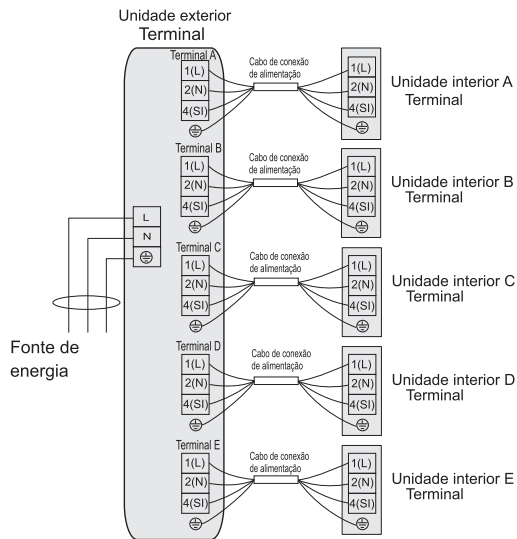
- Com o material de fita ao longo do fio embalado, furos selados da fiação, evite a água condensada e os insetos.
  - Fixe firmemente a fiação da fonte de alimentação, usando o grampo do cabo dentro da unidade.
- Nota: Fixe as buchas de borracha com fita adesiva quando os tubos de conduta para a unidade exterior não forem utilizados.

### Verificação Geral

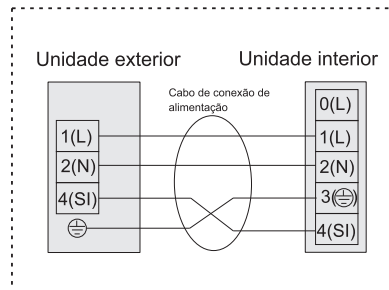
- (1) Certifique-se de que os componentes eléctricos seleccionados no campo (interruptores principais, disjuntores, fios, conectores de condutas e terminais de fio) foram devidamente seleccionados de acordo com os dados eléctricos. Certifique-se de que os componentes estão em conformidade com o Código Elétrico Nacional (NEC).
- (2) Verifique se a tensão da fonte de alimentação está dentro de + 10% da tensão nominal e a fase de terra está contida nos fios da fonte de alimentação. Se não, as peças eléctricas serão danificadas.
- (3) Verifique se a capacidade de alimentação é suficiente.  
Caso contrário, o compressor não será capaz de funcionar devido à queda de tensão anormalmente no arranque.
- (4) Verifique se o fio terra está conectado.
- (5) Instale um interruptor principal, interruptor principal multipolar com um espaço de 3,5 mm ou mais, interruptor principal monofásico com um espaço de 3,0 mm ou mais entre cada fase. Utilize o interruptor de alimentação trifásico especial para o produto trifásico.
- (6) Verificar se a resistência eléctrica é superior a 1 megahm, medindo a resistência entre a terra e o terminal das peças eléctricas. Se não, não opere o sistema até que a fuga eléctrica seja encontrada e reparada.

# Instruções de instalação

## Esquema da fiação elétrica



NOTA:  
Para algumas unidades interiores



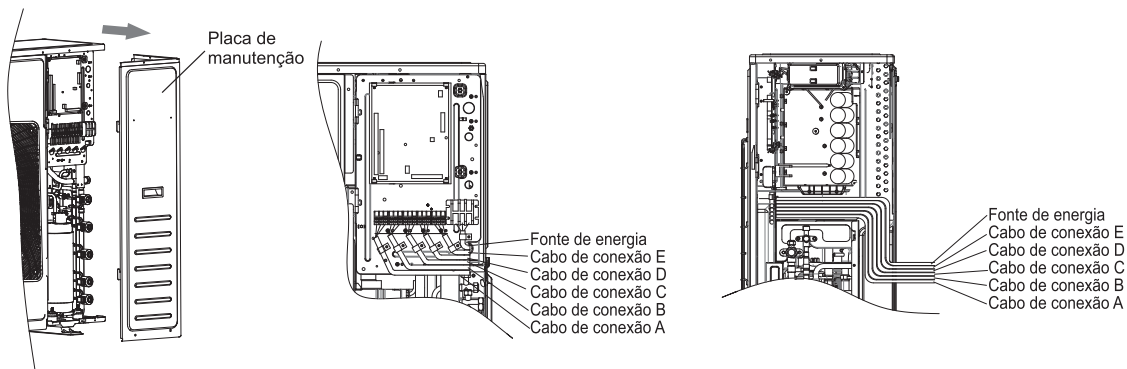
NOTA:

1. Para modelos de até 2 séries de unidades de interior, não existe uma unidade interna C, D e E.
2. Para o modelo até 3 séries de unidades de interior, não existe uma unidade interna D e E.
3. Para o modelo até 4 séries de unidades de interior, não existe uma unidade interna E.

## Etapas de conexão dos fios:

Veja o modelo 125, por exemplo

- (1) Desaparafuse os parafusos na placa de manutenção e remova-os conforme mostrado pela marca da seta.
- (2) Aperte o cabo da fonte de energia e o cabo de conexão através do orifício do condutor.
- (3) Conecte o cabo da fonte de energia e o cabo de conexão ao terminal.
- (4) Aperte o cabo da fonte de energia e o cabo de conexão com o grampo do cabo.
- (5) Coloque a placa de manutenção novamente após a conclusão do trabalho.



# Instruções de instalação

## Dados elétricos

Séries	Modelo	Fonte de energia	ELB		Tamanho do cabo da fonte de alimentação	Tamanho do cabo de transmissão Size	Disjuntor de Circuito (A)
			Corrente nominal (A)	Corrente Sensível Nominal (mA)	EN60335-1	EN60335-1	
up to 2 indoor units	35/42/50	220-240V ~, 50Hz	25	30	3×1.5mm <sup>2</sup>	4×1.5mm <sup>2</sup>	25
up to 3 indoor units	42/52/62/72	220-240V ~, 50Hz	32	30	3×2.5mm <sup>2</sup>	4×1.5mm <sup>2</sup>	32
up to 4 indoor units	81/105	220-240V~, 50Hz	32	30	3×2.5mm <sup>2</sup>	4×1.5mm <sup>2</sup>	32
up to 5 indoor units	125	220-240V~, 50Hz	63	30	3×6.0mm <sup>2</sup>	4×1.5mm <sup>2</sup>	63

Corrente de funcionamento máxima (REFERIR): PARA PLACA DE IDENTIFICAÇÃO

Nota:

- (1) Siga os códigos e regulamentos locais ao selecionar os fios de campo, e todos os acima são o tamanho mínimo do fio.
- (2) Use os fios que não são mais leves do que o cordão flexível comum revestido de policloropreno. (Designação do cabo H07RN-F).
- (3) Os tamanhos de fio marcados com \*1 na tabela acima são selecionados com a corrente máxima da unidade de acordo com a Norma Européia EN60 335-1.
- (4) Instale o interruptor principal e ELB para cada sistema separadamente. Selecione o ELB do tipo de resposta alta que é agido dentro de 0.1 segundo .

No caso que os cabos de alimentação sejam conectados em série, carregue a corrente máxima para cada unidade e selecione os fios abaixo.

### Seleção de acordo com EN60335-1

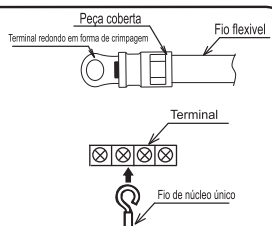
Corrente i(A)	Tamanho do fio(mm <sup>2</sup> )
$i \leq 6$	0.75
$6 < i \leq 10$	1
$10 < i \leq 16$	1.5
$16 < i \leq 25$	2.5
$25 < i \leq 32$	4
$32 < i \leq 40$	6
$40 < i \leq 63$	10
$63 < i$	*

\*No caso de corrente exceder 63A, não conecte cabos em série.

### <Atenções ao Conectar a fiação da fonte de alimentação>

1. Ao conectar o bloco de terminais com o fio trançado, certifique-se de usar o terminal redondo em forma de crimpagem para conexão ao bloco de terminais da fonte de alimentação. Coloque os terminais redondos em forma de crimpagem nos fios até a parte coberta e prenda-os no lugar.

2. Ao conectar o bloco de terminais com um fio de núcleo único, certifique-se de realizar a restauração.



# Instruções de instalação

## Ensaio de funcionamento

O ensaio deve ser executado após a conclusão da tubagem de refrigerante, drenagem, fiação, etc.



O ar condicionado é fornecido com um aquecedor do cárter, verifique se o interruptor na fonte de alimentação principal está ligado por mais de 6 horas antes da alimentação no pré-aquecimento, caso contrário, a ação pode danificar o compressor!

Não opere o sistema até que todos os pontos de verificação tenham sido apagados.

( A ) Verifique se as válvulas de paragem da unidade exterior estão totalmente abertas.

( B ) Verifique se os cabos elétricos estão totalmente conectados.

( C ) Verifique se a resistência elétrica é superior a 2 megohm, medindo a resistência entre a terra e o terminal das peças elétricas. Se não, não opere o sistema até que a fuga elétrica seja encontrada e reparada.

Identificação da função de ensaio de funcionamento

Opere o controle remoto, então continue a execução do ensaio de funcionamento.

Preste atenção aos seguintes itens enquanto o sistema estiver em execução.

Não toque em nenhuma das peças manualmente no lado do gás de descarga, uma vez que a câmara do compressor e os tubos no lado da descarga são aquecidos acima de 90 °C.

- Desligue a alimentação após que o ensaio de funcionamento seja concluído.  
A instalação do aparelho é geralmente terminada depois que as operações acima sejam feitas. Se você ainda tiver algum problema, entre em contato com o centro de serviço técnico local de nossa empresa para obter mais informações.





#### Eliminação correta deste produto

Esta marca indica que este produto não deve ser descartado com outros resíduos domésticos em toda a UE. Para evitar possíveis danos ao meio ambiente ou à saúde humana causados pelo descarte não controlado de resíduos, recicle-os com responsabilidade para promover a reutilização sustentável dos recursos materiais. Para devolver o seu dispositivo usado, use os sistemas de devolução e coleta ou entre em contato com o revendedor onde o produto foi comprado. Eles podem levar este produto para reciclagem segura do ponto de vista ambiental.

Hisense (Shandong) Air-conditioning Co., Ltd.  
No.1 Hisense Road, Nancun, Pingdu, Qingdao, Shandong Province, P. R. China